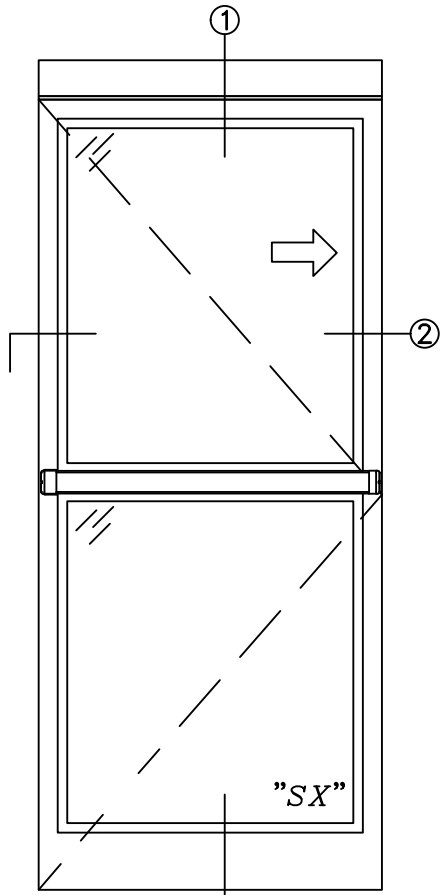
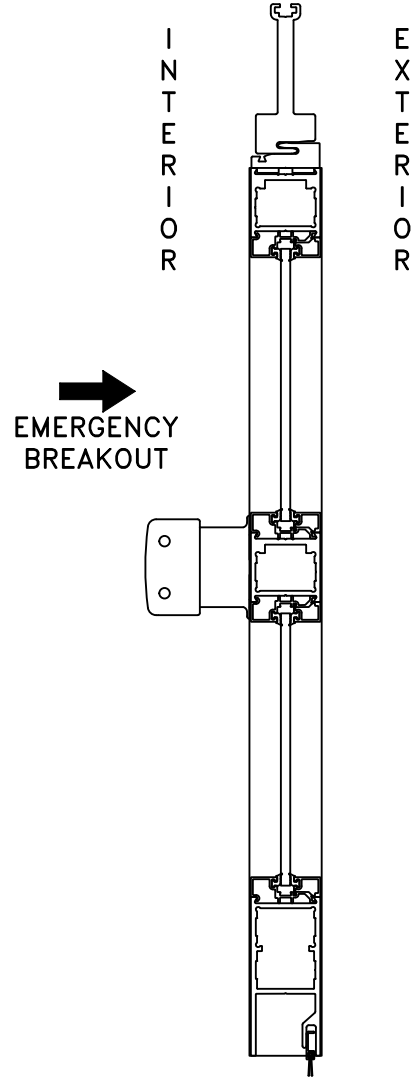


JOB NAME: _____ DATE: _____

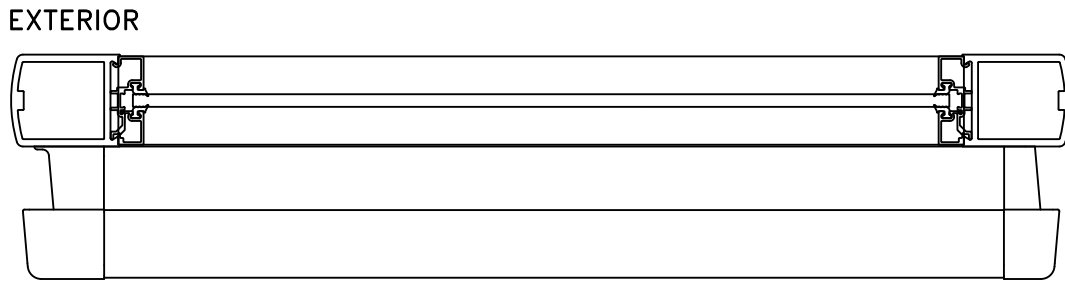
DOOR LOCATION: _____ DOOR NO: _____ SHEET ____ OF ____



AS VIEWED FROM INTERIOR
ELEVATION



① VERTICAL SECTION



② HORIZONTAL SECTION