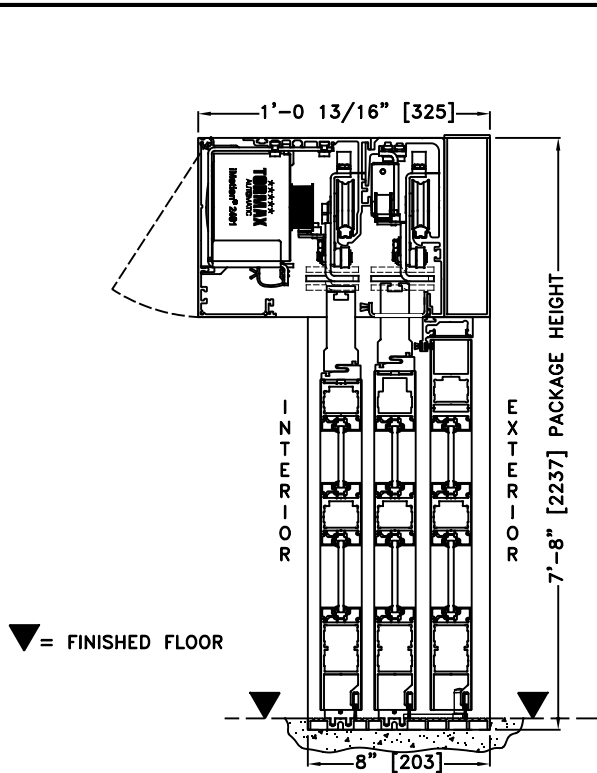
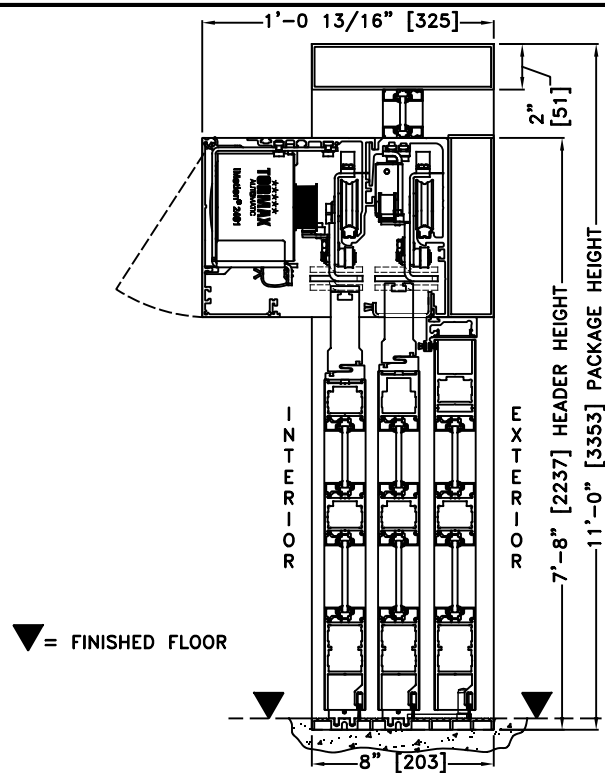


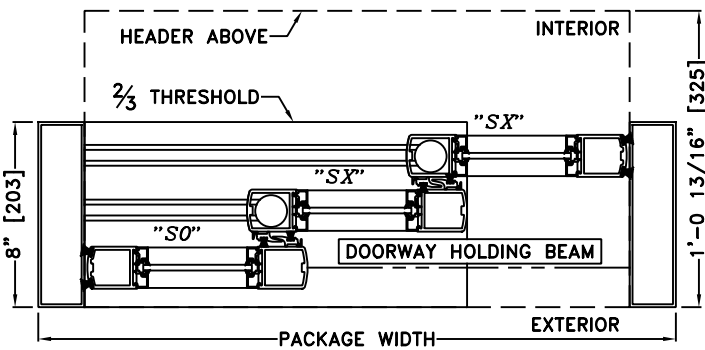
JOB NAME: \_\_\_\_\_ DATE: \_\_\_\_\_  
 DOOR LOCATION: \_\_\_\_\_ DOOR NO: \_\_\_\_\_ SHEET \_\_\_\_ OF \_\_\_\_



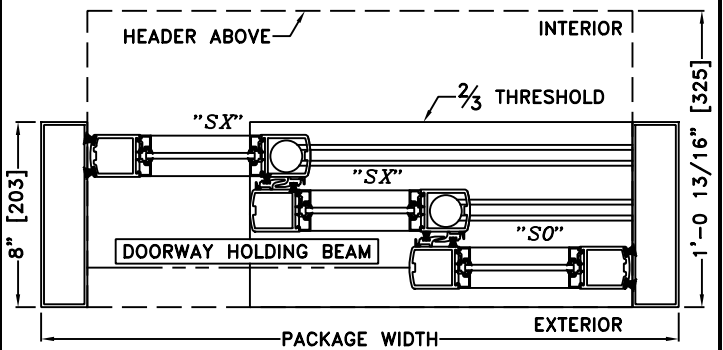
① VERTICAL SECTION WITHOUT TRANSOM



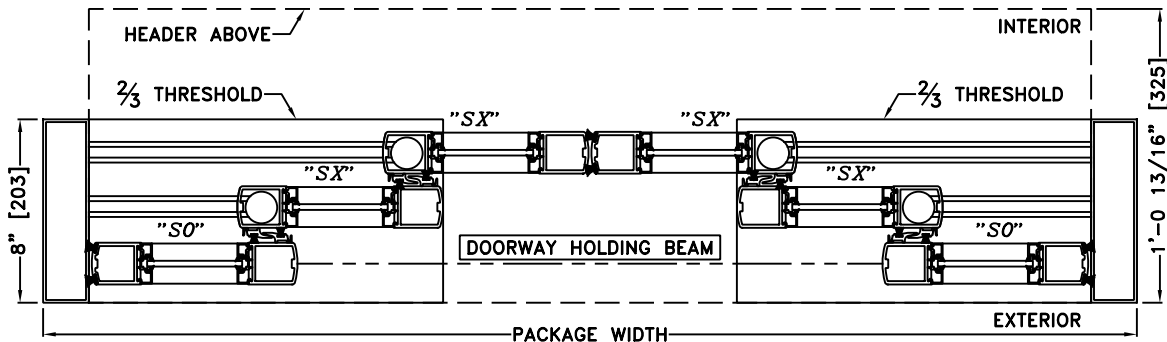
① VERTICAL SECTION WITH TRANSOM



② HORIZONTAL SECTION - LH SINGLE SLIDE



② HORIZONTAL SECTION - RH SINGLE SLIDE



② HORIZONTAL SECTION - BIPART SLIDER