



DEPARTMENT OF REGULATORY AND ECONOMIC RESOURCES (RER)  
 BOARD AND CODE ADMINISTRATION DIVISION  
**NOTICE OF ACCEPTANCE (NOA)**

**TORMAX USA Inc.**  
**12859 Wetmore Road**  
**San Antonio, TX 78247**

**SCOPE:**

This NOA is being issued under the applicable rules and regulations governing the use of construction materials. The documentation submitted has been reviewed and accepted by Miami-Dade County RER -Product Control Section to be used in Miami Dade County and other areas where allowed by the Authority Having Jurisdiction (AHJ).

This NOA shall not be valid after the expiration date stated below. The Miami-Dade County Product Control Section (In Miami Dade County) and/or the AHJ (in areas other than Miami Dade County) reserve the right to have this product or material tested for quality assurance purposes. If this product or material fails to perform in the accepted manner, the manufacturer will incur the expense of such testing and the AHJ may immediately revoke, modify, or suspend the use of such product or material within their jurisdiction. RER reserves the right to revoke this acceptance, if it is determined by Miami-Dade County Product Control Section that this product or material fails to meet the requirements of the applicable building code.

This product is approved as described herein, and has been designed to comply with the Florida Building Code, including the High Velocity Hurricane Zone.

**DESCRIPTION: Series 9200 Automatic Alum Sliding Glass Door (O-Sx-Sx-O) w/ Reinforcements- N.I.**

**APPROVAL DOCUMENT:** Drawing No. **20-046** (Former #17-475), "Series 9200 Non-Impact" Sheets 1 through 4 of 4, prepared by EngCo. Inc., dated AUG 15, 2017 and last revised on June 19, 2020, signed and sealed by Pedro De Figueiredo, P. E. bearing the Miami-Dade County Product Control Revision stamp with the Notice of Acceptance number and expiration date by the Miami-Dade County Product Control Section.

**MISSILE IMPACT RATING: None. Approved Hurricane Protection device complying w/ FBC (HVHZ) is required**

**Limitations:**

1. See Unit sizes Vs Design Pressure ratings, in sheet 1.

**LABELING:** Each unit shall bear a permanent label with the manufacturer's name or logo, city, state and series and following statement: "Miami-Dade County Product Control Approved", noted herein.

**RENEWAL** of this NOA shall be considered after a renewal application has been filed and there has been no change in the applicable building code negatively affecting the performance of this product.

**TERMINATION** of this NOA will occur after the expiration date or if there has been a revision or change in the materials, use, and/or manufacture of the product or process. Misuse of this NOA as an endorsement of any product, for sales, advertising or any other purposes shall automatically terminate this NOA. Failure to comply with any section of this NOA shall be cause for termination and removal of NOA.

**ADVERTISEMENT:** The NOA number preceded by the words Miami-Dade County, Florida, and followed by the expiration date may be displayed in advertising literature. If any portion of the NOA is displayed, then it shall be done in its entirety.

**INSPECTION:** A copy of this entire NOA shall be provided to the user by the manufacturer or its distributors and shall be available for inspection at the job site at the request of the Building Official.

This NOA **revises & renews NOA #17-1218.29** and consists of this page 1 and evidence pages E-1, E-2 & E-3, as well as approval document mentioned above.

The submitted documentation was reviewed by **Ishaq I. Chanda, P.E.**



*Ishaq I. Chanda*

**TORMAX USA Inc.**

**NOTICE OF ACCEPTANCE: EVIDENCE SUBMITTED**

**1. Evidence submitted in previous files**

**A. DRAWINGS**

1. Manufacturer's die drawings and sections (Submitted under file below)
2. Drawing No. **14-102** (Former #**12-173**), "Series 9200 Non-Impact" Sheets 1 through 4 of 4, prepared by EngCo. Inc., 08-24-14 and last revised on OCT 06, 2015, signed and sealed by Pedro De Figueiredo, P.E.

**B. TESTS (Submitted under file #15-0427.11/#12-1107.04 /#11-0502.08/ #06-0202.05)**

1. Test reports on 1) Air Infiltration Test, per FBC, TAS 202-94  
2) Uniform Static Air Pressure Test, Loading per FBC TAS 202-94  
3) Water Resistant Test per FBC, TAS 202-94 (Not Performed)  
4) Forced Entry Test, per FBC 2411 3.2.1, TAS 202-94

along with marked-up drawings and installation diagram of an Automatic Entrance door, prepared by Hurricane Testing Laboratory, LLC, Test Report No **HTL 0368-0220-05 & HTL 0368-0221-05**, both dated 11/28/05, signed and sealed by Vinu J. Abraham, P. E.

**C. CALCULATIONS (submitted under file #15-427.11)**

1. Anchor Calculations and structural analysis, complying with FBC-2014(5<sup>th</sup> Edition), prepared by Engco, Inc, dated 01/02/15, signed and sealed by Pedro De Figueiredo, P.E.
2. Glazing complies w/ ASTM E-1300-02, 04 & -09.

**D. QUALITY ASSURANCE**

1. Miami Dade Department of Regulatory and Economic Resources (RER).

**E. MATERIAL CERTIFICATIONS**

1. None.

**F. STATEMENTS**

1. Statement letter of conformance to FBC 2014(5<sup>th</sup> Edition) and letter of no financial interest, prepared by Engco, Inc., dated 06/26/2015, signed and sealed by Pedro De Figueiredo, P.E. (submitted under file #15-0427.11)
2. Lab compliance as part of the above referenced test report.

**G. OTHER**

1. This NOA **renews** NOA #15-0427.11, expiring on June 22, 2021.
2. State of Delaware Certificate of amendment of "Tormax Technologies Inc." name change to "TORMAX USA Inc., dated 04-23-15, signed by Jeffery W. Bullock, Secretary of State. (submitted under file #15-427.11)

*Ishaq I. Chanda*

---

**Ishaq I. Chanda, P.E.**  
**Product Control Unit Supervisor**  
**NOA No. 20-0720.07**  
**Expiration Date: June 22, 2025**  
**Approval Date: September 24, 2020**

**TORMAX USA Inc.**

**NOTICE OF ACCEPTANCE: EVIDENCE SUBMITTED**

**2. Evidence submitted under previous NOA(s).**

**A. DRAWINGS**

1. Drawing No. **17-475** (Former #**14-102**), "Series 9200 Non-Impact" Sheets 1 through 4 of 4, prepared by EngCo. Inc., dated AUG 15, 2017, signed and sealed by Pedro De Figueiredo, P. E.

Note: This revision consists of editorial changes of FBC 17 (6<sup>th</sup> Edition) code compliance.

**B. Test**

1. None.

**C. CALCULATIONS**

1. None

**D. QUALITY ASSURANCE**

1. Miami Dade Department of Regulatory and Economic Resources (RER).

**E. MATERIAL CERTIFICATIONS**

1. None.

**F. STATEMENTS**

1. Statement letter of conformance to FBC 2017 (6<sup>th</sup> Edition), dated 08/15/17, prepared by EngCo. Inc., signed and sealed by Pedro De Figueiredo, P. E.
2. Statement letter of extent of drawing editorial revision, dated 01/30/18, prepared by EngCo., signed and sealed by Pedro De Figueiredo, P. E

**G. OTHER**

1. This NOA **revises # 16-0202.15**, expiring 06/22/21.

**3. New Evidence submitted.**

**A. DRAWINGS**

1. Drawing No. **20-046** (Former #**17-475**), "Series 9200 Non-Impact" Sheets 1 through 4 of 4, prepared by EngCo. Inc., dated AUG 15, 2017 and last revised on June 19, 2020, signed and sealed by Pedro De Figueiredo, P. E.

**B. Test**

1. None.

**C. CALCULATIONS**

1. None.

*Ishaq I. Chanda*

---

**Ishaq I. Chanda, P.E.**  
**Product Control Unit Supervisor**  
**NOA No. 20-0720.07**  
**Expiration Date: June 22, 2025**  
**Approval Date: September 24, 2020**

**TORMAX USA Inc.**

**NOTICE OF ACCEPTANCE: EVIDENCE SUBMITTED**

**D. QUALITY ASSURANCE**

1. Miami Dade Department of Regulatory and Economic Resources (RER).

**E. MATERIAL CERTIFICATIONS**

1. None.

**F. STATEMENTS**

1. Statement letter of conformance to FBC 2020 (7<sup>th</sup> Edition), dated 06/15/20, prepared by EngCo. Inc., signed and sealed by Pedro De Figueiredo, P. E.
2. Statement letter of extent of drawing editorial revision, inclusive code change notes, dated 06/15/20, prepared by EngCo., signed and sealed by Pedro De Figueiredo, P. E.

**G. OTHER**

1. This NOA **revises & renews # 17-1218.28** and FBC 2020 updates, expiring 06/22/25.

*Ishaq I. Chanda*

---

**Ishaq I. Chanda, P.E.**  
**Product Control Unit Supervisor**  
**NOA No. 20-0720.07**  
**Expiration Date: June 22, 2025**  
**Approval Date: September 24, 2020**

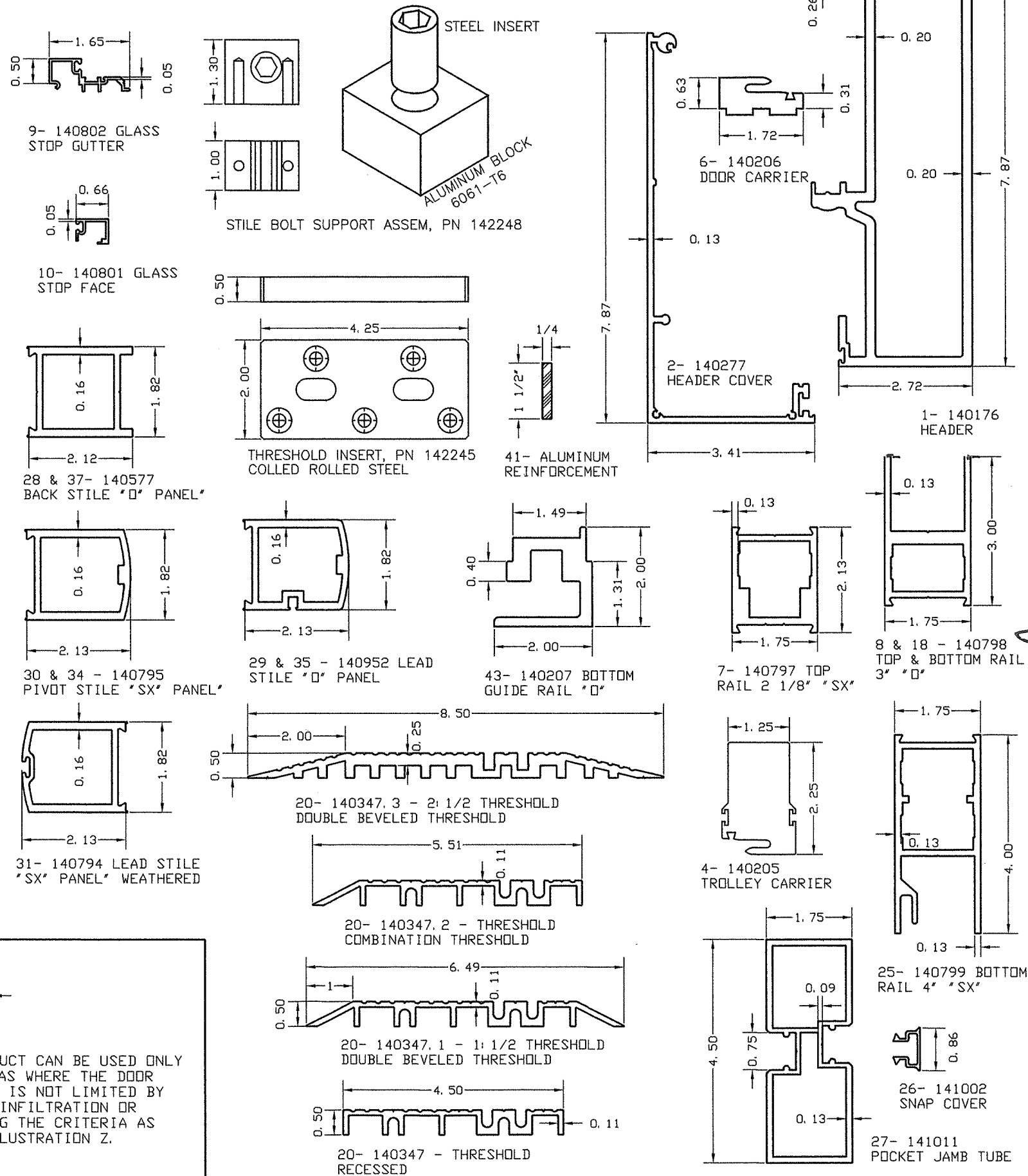
INDEX:

- SHEET 1 of 4 - GENERAL NOTES, DESIGN RATING AND DOOR COMPONENTS
- SHEET 2 of 4 - TYPICAL DOOR ELEVATION, FRAMING ANCHORAGE
- SHEET 3 of 4 - SECTION 1 DETAIL & BILL OF MATERIALS
- SHEET 4 of 4 - SECTION 2 & 3 DETAILS & GLAZING DETAIL

GENERAL NOTES:

- 1- CODE: THIS PRODUCT HAS BEEN TESTED AND DESIGNED IN ACCORDANCE WITH THE FLORIDA BUILDING CODE 2020 - 7th EDITION., INCLUDING THE HIGH VELOCITY HURRICANE ZONES (HVHZ).
- 2- DEFINITION: THIS PRODUCT IS AN ALUMINUM NON IMPACT RESISTANT AUTOMATIC SLIDING GLASS DOOR. IN ORDER TO MEET IMPACT RESISTANCE CRITERIA, THIS PRODUCT MUST BE INSTALLED WITH AN APPROVED HURRICANE SHUTTER.
- 3- POSTING: "9200 SERIES - NON IMPACT ALUMINUM AUTOMATIC SLIDING GLASS DOORS TORMAX USA, Inc. SAN ANTONIO, TEXAS DADE COUNTY PRODUCT CONTROL APPROVED"
- 4- LOADS: DESIGNED LOAD CALCULATED BASED ON THE ASCE 7-16 AND PROVIDED BY A PROFESSIONAL ARCHITECT OR ENGINEER FOR EACH SPECIFIC PROJECT. THE CALCULATED DESIGNED PRESSURE MUST NOT EXCEED THE ALLOWABLE PRESSURES HERE IN SPECIFIED. THE DESIGN PRESSURES, AS DETERMINED FROM ASCE 7-16, ARE TO BE MULTIPLE BY 0.6
- 5- MATERIAL: ALL ALUMINUM PARTS TO BE 6063-T5 ALLOY OR AS NOTED AND GLAZING TO BE 1/4" TEMPERED GLASS AS PER SHEET 4 of 4 AS SPECIFIED ON THIS APPROVAL.
- 6- FASTENERS: ASSEMBLY SCREWS AND ANCHORS SHALL BE AS SPECIFIED IN THE CURRENT SET OF DRAWINGS. INSTALLATION AND LOADS AS PER THIS APPROVAL. ANCHOR SPACING AND LOADS MUST NOT EXCEED THE MAXIMUM LIMITS SPECIFIED BY THIS APPROVAL.
- 7- USE: IT SHALL BE THE RESPONSIBILITY OF THE CONTRACTOR, ARCHITECT OR ENGINEER OF RECORD TO VERIFY THE FOLLOWING:
  - 7.1- THE STABILITY OF THE STRUCTURE WHERE THE PRODUCT IS TO BE ATTACHED INSURING PROPER ANCHORAGE.
  - 7.2- THE SITE SPECIFIC PROJECT CRITERIA, SUCH AS BUT NOT LIMITED TO, LOCAL CODE REQUIREMENTS, DESIGNED PRESSURES ETC.
  - 7.3- THAT THIS APPROVAL IS ADEQUATE TO THE SPECIFIC PROJECT.
- 8- 33 1/3% INCREASE IN ALLOWABLE LOADS HAVE NOT BEEN USED IN THE DESIGN OF THE ANCHORS FOR THIS PRODUCT APPROVAL, HOWEVER, WOOD SCREWS WITH 1.6 INCREASE FOR WIND LOAD DURATION HAVE BEEN USED.
- 9- THIS SYSTEM COMPLIES W/ ASTM E1300-04e01, 07e01, 09e, 12Ae1 or 16
- 10- DISSIMILAR MATERIALS: WHERE ALUMINUM IS IN CONTACT OR FASTENED TO DISSIMILAR MATERIALS, INCLUDING BUT NOT LIMITED TO STEEL, INSTALLATION SHALL MEET THE REQUIREMENTS OF CHAPTER M.7 OF THE ALUMINUM DESIGN MANUAL 2015.

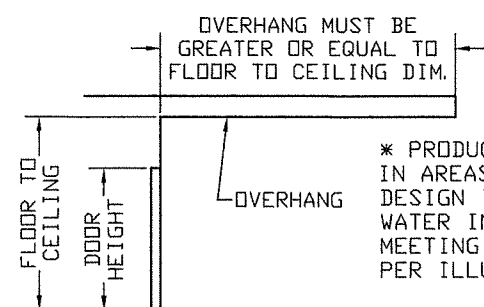
DOOR COMPONENTS



DOOR ALLOWABLE DESIGNED PRESSURES NON IMPACT

NOMINAL SIZE	ALLOWABLE PRESSURE (PSF)
184" x 104"	+57*, -57
93" x 104"	+57*, -57
184" x 92"	+64*, -64
93" x 92"	+64*, -64

ILLUSTRATION "Z"

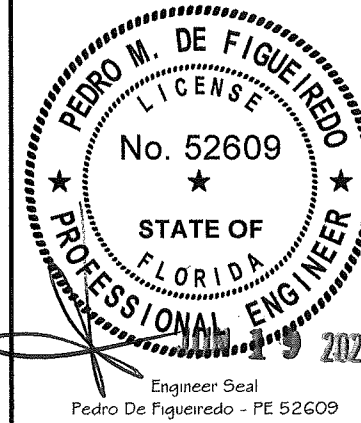


\* PRODUCT CAN BE USED ONLY IN AREAS WHERE THE DOOR DESIGN IS NOT LIMITED BY WATER INFILTRATION OR MEETING THE CRITERIA AS PER ILLUSTRATION Z.

MANUFACTURER:  
**TORMAX**  
 AUTOMATIC  
 TORMAX USA Inc.  
 12859 WETMORE ROAD  
 SAN ANTONIO, TX 78247  
 PH: (210) 494-3551  
 FAX: (210) 494-5930

PRODUCT:  
**SERIES 9200 NI**  
 AUTOMATIC SLIDING GLASS DOOR  
 NON IMPACT RESISTANT

ENGINEERING:  
**ENSCO INC.** CA 0116  
 9175 WEST BROWARD BLVD.  
 PLANTATION, FLORIDA, 33324  
 Tel.: (954) 632-4060  
 ENSCO@AOL.COM

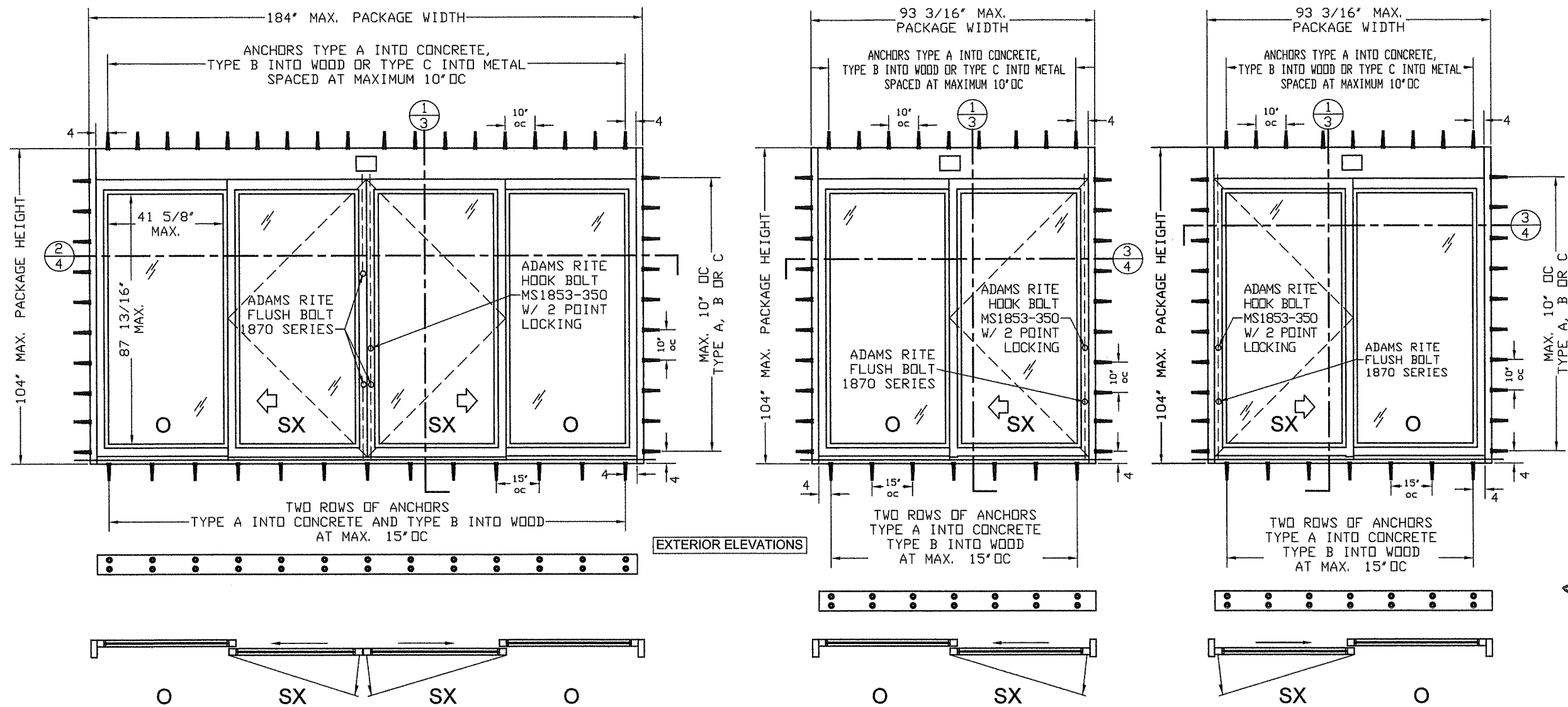


MIAMI-DADE BCCO:  
**PRODUCT REVISED**  
 as complying with the Florida Building Code  
**NOA-No. 20-0720.07**  
**Expiration Date: 06/22/2025**  
 By: Ismael L. Chanin  
**Miami-Dade Product Control**

DATE: 06/15/2020  
 SCALE: NA  
 DESIGN BY: PPMF

SHEET 1 OF 4  
 DRAWING NUMBER 20-046

## TYPICAL ELEVATION AND ANCHORAGE SPACING



EXTERIOR ELEVATIONS

**HARDWARE NOTE:**  
 LOCK AND FLUSH BOLT HAVE  
 3/8" HEX BOLT EXTENDED 1/2"  
 INTO HEAD AND THRESHOLD

### ANCHOR DATA

MK	DESCRIPTION	BASE MATERIAL	PENETRATION	EDGE DIST.
A	1/4" ITW TAPCON BY BUILDEX	3000 PSI CONCRETE	1 1/2" MIN.	2 1/2" MIN
B	1/4" ITW TAPCON BY BUILDEX	WOOD (SG) = .55	1 1/2" MIN	3/4" MIN
C	1/4-14 HH SMS GRADE 5 GENERIC	1/8" THICK 6063-T5 ALUMINUM		3/4" MIN
	1/4-14 HH SMS GRADE 5 GENERIC	1/8" THICK A36 STEEL (Fu=58 ksi)		3/4" MIN

**ANCHOR NOTES:**  
 1- SEE SECTION DETAILS FOR ANCHOR SPACING.  
 2- MINIMUM PENETRATION IS BEYOND WALL DRESSING.  
 3- TYPICAL 2 ROWS OF ANCHORS FOR THRESHOLD INSTALLATION  
 4- BASE MATERIAL DESIGNED BY OTHERS TO WITHSTAND IMPOSED LOAD.

### PACKAGE HEIGHT INFORMATION

PACKAGE HEIGHT	MASONRY OPENING
8' - 8" (104")	8' - 8 1/4" (104 1/4")

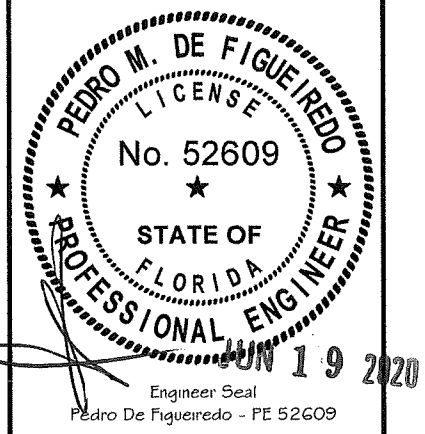
### PACKAGE WIDTH INFORMATION

PKG WIDTH	NOMINAL CLEAR DOOR OPENING	SLIDING DOOR PANEL NOM. WIDTH	EMERGENCY BREAKOUT NOM. WIDTH
15' - 4" (184")	77 7/8"	46 27/32"	86 3/4"
7' - 9 3/16" (93 3/16")	38 7/8"	46 27/32"	43 3/8"

MANUFACTURER:  
**★★★★★**  
**TORMAX**  
 AUTOMATIC  
 TORMAX USA Inc.  
 12859 WETMORE ROAD  
 SAN ANTONIO, TX 78247  
 PH: (210) 494-3551  
 FAX: (210) 494-5930

PRODUCT:  
**SERIES 9200 NI**  
 AUTOMATIC SLIDING GLASS DOOR  
 NON IMPACT RESISTANT

ENGINEERING:  
**ENCGO INC.** CA 8116  
 9175 WEST BROWARD BLVD.  
 PLANTATION, FLORIDA, 33324  
 Tel.: (954) 632-4060  
 ENCGO@AOL.COM



MIAMI-DADE BCCO:

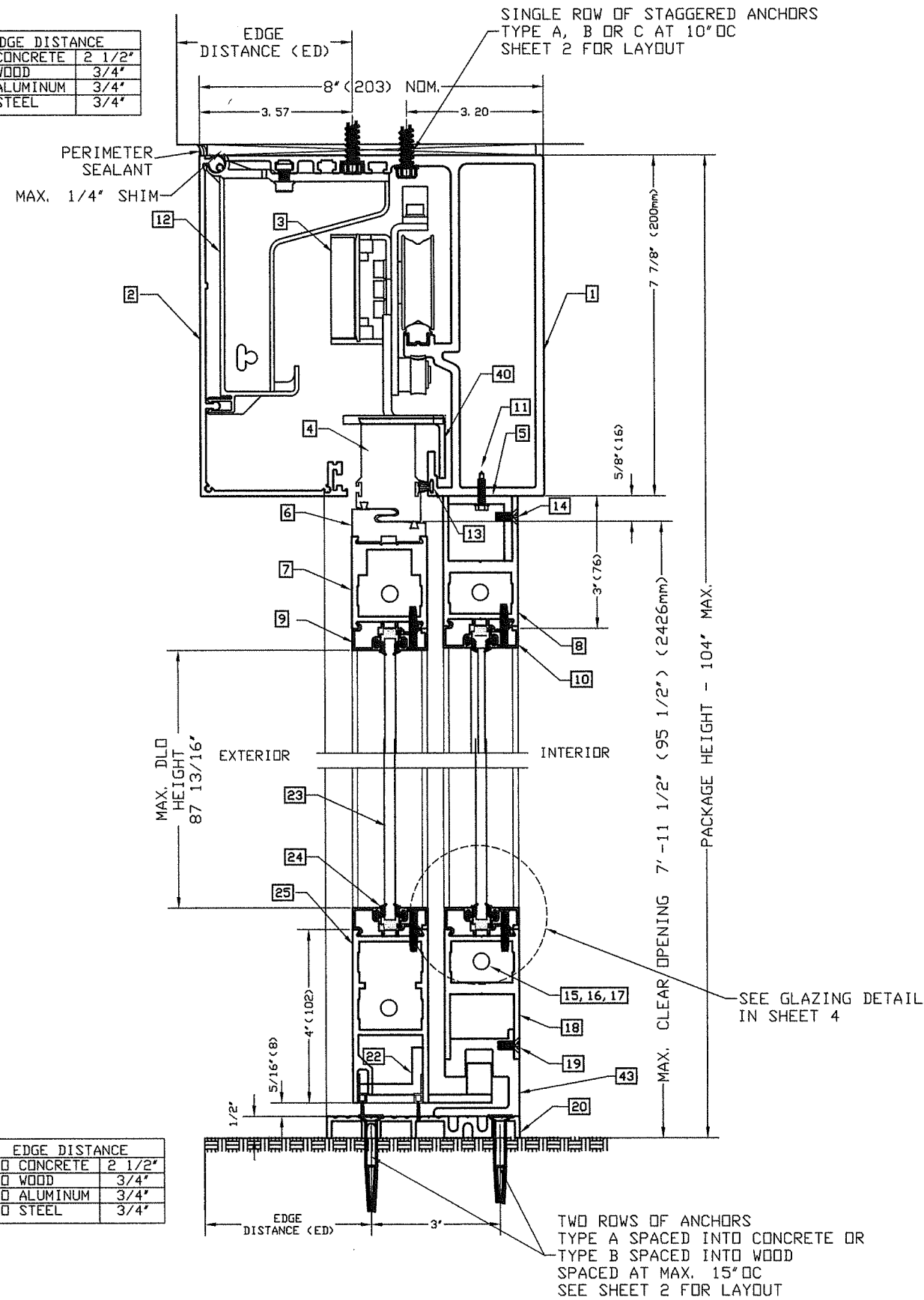
**PRODUCT REVISED**  
 as complying with the Florida  
 Building Code  
**NOA-No. 20-0720.07**  
**Expiration Date: 06/22/2025**  
 By: Ismael I. Chanda  
**Miami-Dade Product Control**

DATE: 06/15/2020  
 SCALE: NA  
 DESIGN BY: PPMF

SHEET 2 OF 4	DRAWING NUMBER 20-046
-----------------	-----------------------------

# TYPICAL VERTICAL SECTION 1/3

EDGE DISTANCE	
INTO CONCRETE	2 1/2"
INTO WOOD	3/4"
INTO ALUMINUM	3/4"
INTO STEEL	3/4"



## MATERIAL LIST

ITEM #	QTY	DESCRIPTION	PART NUMBER
1	1	HEADER	140176
2	1	COVER, HEADER	140277
3	4	TROLLEY ROLLER ASSEMBLY	110445
4	2	TROLLEY CARRIER	140205
5	2	ALUMINUM ANGLE, 1-1/2" X 1-1/2" X 3/16"	141125
6	2	DOOR CARRIER	140206
7	2	2-1/8" TOP RAIL, "SX"	140797
8	2	3" TOP RAIL, "D"	140798
9	16	1/2" GUTTER, GLASS STOP	141802
10	16	1/2" FACE, GLASS STOP	140801
11	14	#10 TEK SCREW	140270-01
12	4	BRACKET, HEADER COVER	140219
13	1	PILE-FIN WEATHERSEAL, HEADER	141148
14	14	10-32 X 1/2" FL HD PH MACH SCREW	140245-41
15	8	3/8" DIA ALL THREAD, THRU ROD	140167
16	16	RAIL CLIP, UNIVERSAL	140928
17	16	NUT, SERRATED FLANGE	14140421-08
18	2	3" BOTTOM RAIL, "D" PANEL	140798
19	14	10-32 X 1/2" FL HD PH MACH SCREW	140245-41
20	1	THRESHOLD, RECESSED	140347
21	AN	1/4" RUBBER SETTING BLOCK	
22	2	SLIDER, LEFT & RIGHT HAND	110236 & 110237
23	4	1/4" NOM TEMPERED GLASS	
24	16	VINYL, GLASS STOPS	140132
25	2	4" BOTTOM RAIL, "SX"	140799
26	2	SNAP COVER, JAMB TUBES	141002
27	2	JAMB TUBE, POCKET	141011
28	1	BACK STILE, "D" PANEL	140577
29	1	LEAD STILE, "D" PANEL	140952
30	1	PIVOT STILE, "SX"	140795
31	1	LEAD STILE, WEATHERED, "SX" PANEL	140794
32	4	KEY OPERATED LOCK CYLINDER - ADAMS RITE 1870 SERIES	1870 SERIES
33	4	THUMBTURN LOCK CYLINDER - ADAMS RITE	MS1853
34	1	LEAD STILE, NON-WEATHERED, "SX"	140795
35	1	LEAD STILE, "D" PANEL	140952
36	1	PIVOT STILE, "SX"	140795
37	1	BACK STILE, "D" PANEL	140577
38	2	1/2" BRUSH, WEATHER SEAL	141001
39	1	PILE-FIN WEATHER STRIP, STILE	141147
40	2	DE-RAILER	142185
41	2	ALUMINUM BAR, 1/4" X 1-1/2"	141126
42	2	BOTTOM GUIDE RAIL "D"	140207
43	64	8-32x7/8" FL HD SSMS	US800009
44	2	INTERLOCK ADAM RITE FLUSH BOLTS	1870
45	1	LOCK STILE ADAM RITE FLUSH BOLTS	1870
46	1	LOCK STILE ADAM RITE 2 POINTS	MS1853-350

MANUFACTURER:

★★★★★  
**TORMAX**

AUTOMATIC

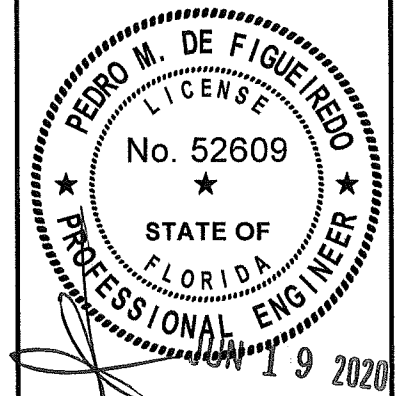
TORMAX USA Inc.  
12859 WETMORE ROAD  
SAN ANTONIO, TX 78247  
PH: (210) 494-3551  
FAX: (210) 494-5930

PRODUCT:

SERIES 9200 NI  
AUTOMATIC SLIDING GLASS DOOR  
NON IMPACT RESISTANT

ENGINEERING:

**ENCGO INC.** CA 8116  
9175 WEST BROWARD BLVD.  
PLANTATION, FLORIDA, 33324  
Tel.: (954) 632-4060  
ENCGO@AOL.COM



Engineer Seal  
Pedro De Figueiredo - PE 52609

MIAMI-DADE BCCO:

**PRODUCT REVISED**  
as complying with the Florida  
Building Code  
NOA-No. **20-0720.07**  
Expiration Date: **06/22/2025**

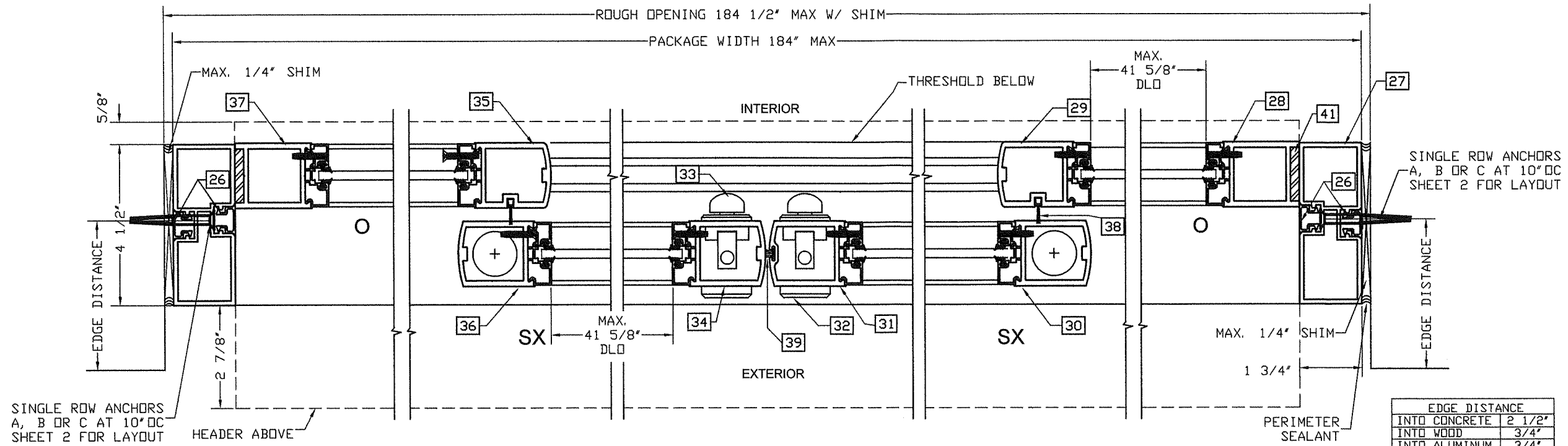
By: Ishay I. Chand  
Miami-Dade Product Control

DATE: 06/15/2020  
SCALE: NA  
DESIGN BY: PPMF

SHEET  
3 OF 4

DRAWING  
NUMBER  
20-046

### TYPICAL HORIZONTAL SECTION $\frac{2}{4}$

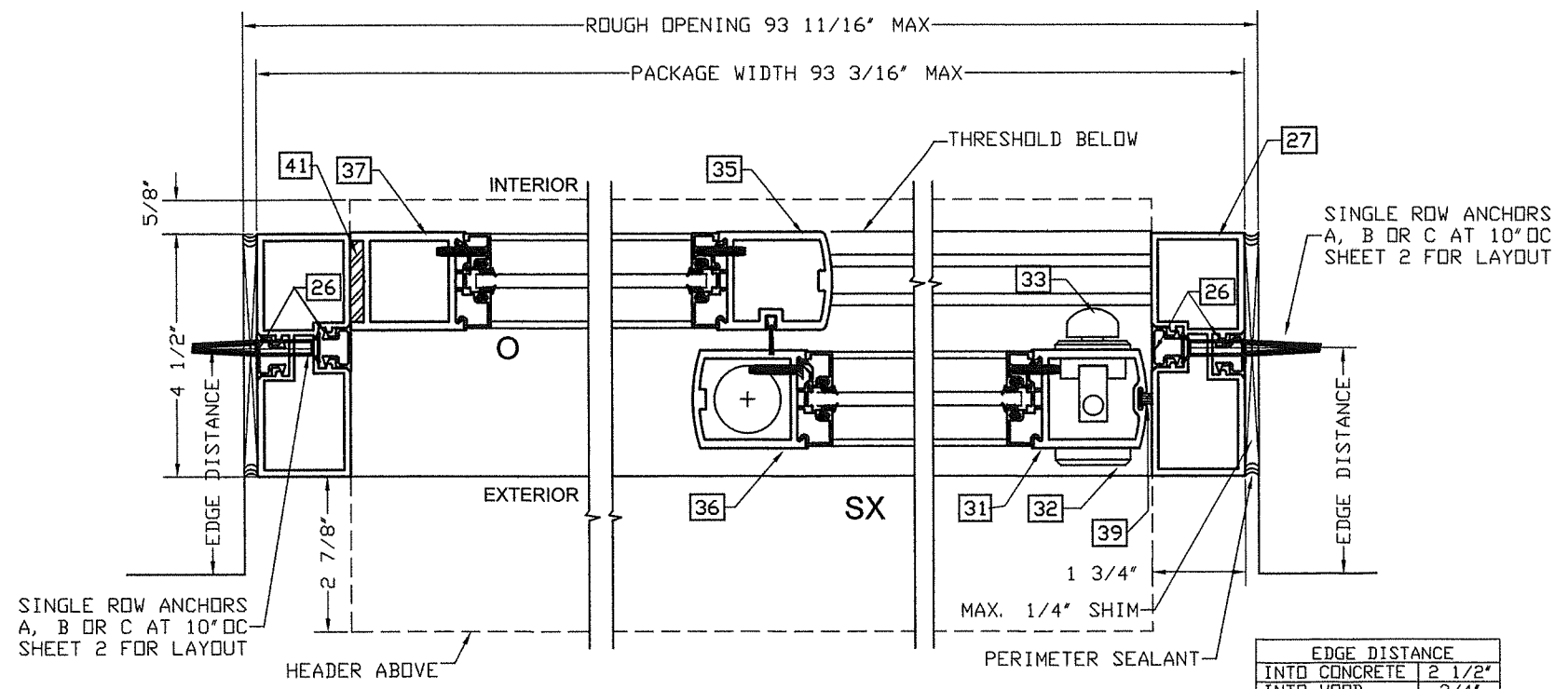


SINGLE ROW ANCHORS  
A, B OR C AT 10\"/>

EDGE DISTANCE	
INTO CONCRETE	2 1/2"
INTO WOOD	3/4"
INTO ALUMINUM	3/4"
INTO STEEL	3/4"

EDGE DISTANCE	
INTO CONCRETE	2 1/2"
INTO WOOD	3/4"
INTO ALUMINUM	3/4"
INTO STEEL	3/4"

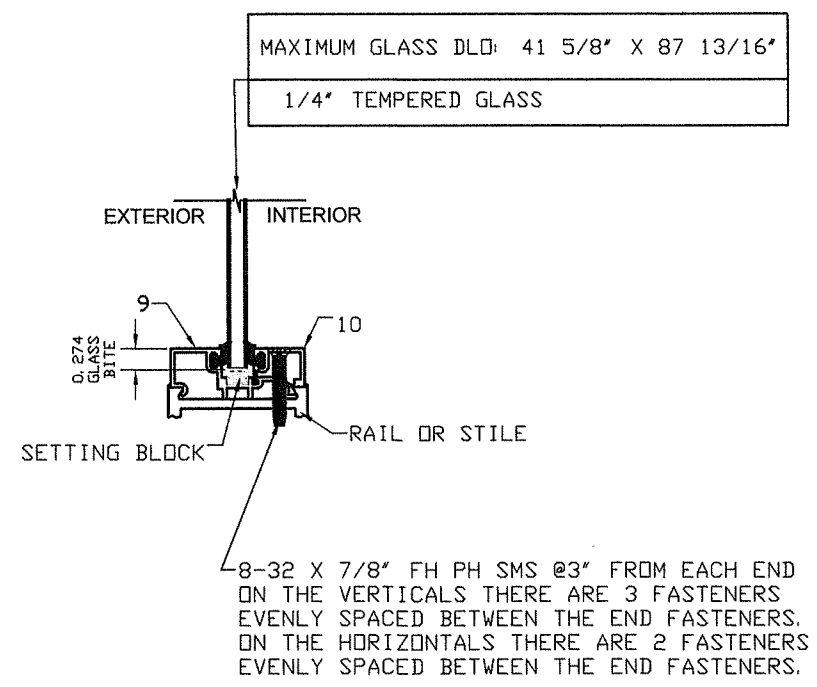
### TYPICAL HORIZONTAL SECTION $\frac{3}{4}$



SINGLE ROW ANCHORS  
A, B OR C AT 10\"/>

EDGE DISTANCE	
INTO CONCRETE	2 1/2"
INTO WOOD	3/4"
INTO ALUMINUM	3/4"
INTO STEEL	3/4"

### TYPICAL GLAZING DETAIL ENTIRE PERIMETER ALL LITES

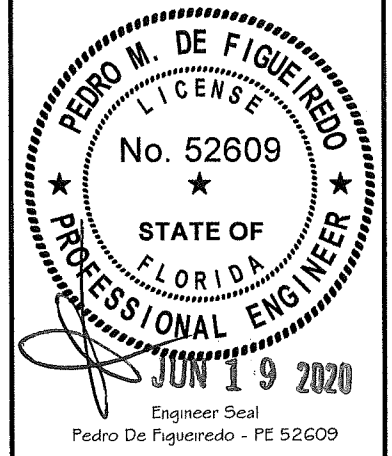


8-32 X 7/8" FH PH SMS @3" FROM EACH END  
ON THE VERTICALS THERE ARE 3 FASTENERS  
EVENLY SPACED BETWEEN THE END FASTENERS.  
ON THE HORIZONTALS THERE ARE 2 FASTENERS  
EVENLY SPACED BETWEEN THE END FASTENERS.

MANUFACTURER:  
**TORMAX**  
AUTOMATIC  
TORMAX USA Inc.  
12859 WETMORE ROAD  
SAN ANTONIO, TX 78247  
PH: (210) 494-3551  
FAX: (210) 494-5930

PRODUCT:  
SERIES 9200 NI  
AUTOMATIC SLIDING GLASS DOOR  
NON IMPACT RESISTANT

ENGINEERING:  
**ENSCO INC.** CA 8116  
9175 WEST BROWARD BLVD.  
PLANTATION, FLORIDA, 33324  
Tel.: (954) 632-4060  
ENSCO@AOL.COM



MIAMI-DADE BCCO:

**PRODUCT REVISED**  
as complying with the Florida  
Building Code  
NOA-No. **20-0720.07**  
Expiration Date: **06/22/2025**  
By: Isaac I. Chan  
Miami-Dade Product Control

DATE: 06/15/2020  
SCALE: NA  
DESIGN BY: PPMF

SHEET 4 OF 4  
DRAWING NUMBER 20-046