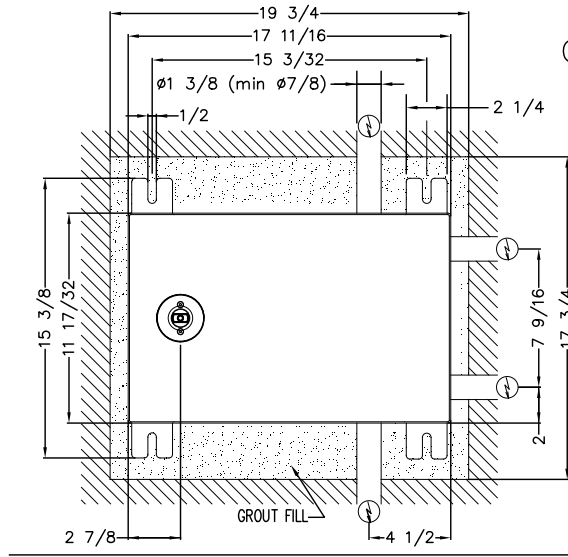
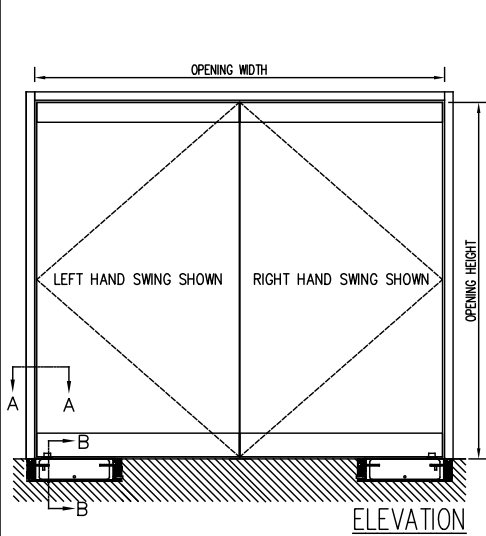


JOB NAME: _____ DATE: _____
 DOOR LOCATION: _____ DOOR NO: _____ SHEET ___ OF ___

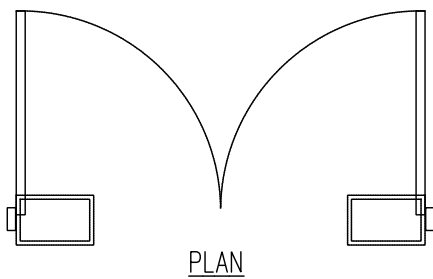


OPERATOR AND FLOOR BOX
 TOP VIEW

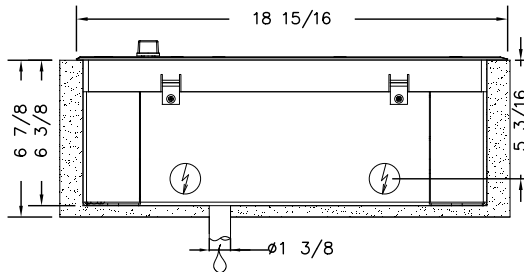
- STAINLESS STEEL COVER

PIT DIMENSION
 19 3/4" L x 17 3/4" W x 6 7/8" D

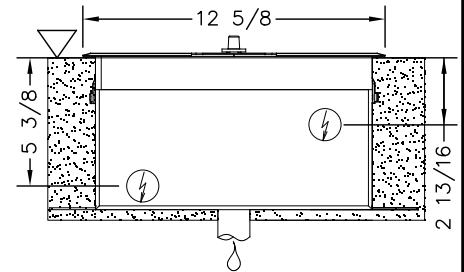
SURFACE FLOOR BOX w/ STAINLESS STEEL COVER



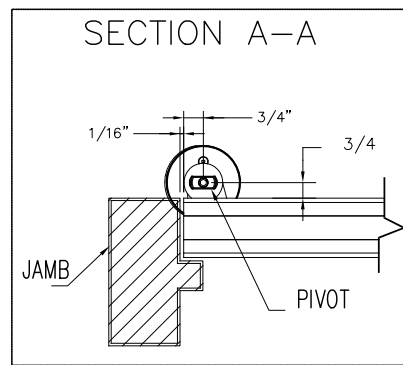
PLAN



FRONT SECTION

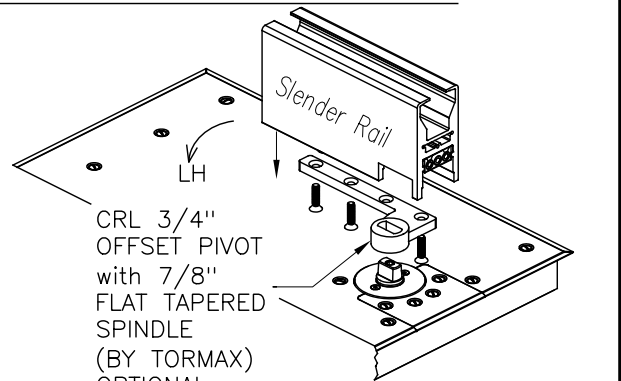


END SECTION B-B



SECTION A-A
 OFFSET PIVOT

- ▽ Concrete or Finished Floor
- 💧 Weep Drain Required
- ⚡ Possible Electrical Feed



CRL 3/4" OFFSET PIVOT with 7/8" FLAT TAPERED SPINDLE (BY TORMAX)
 OPTIONAL:
 1-1/2" OFFSET

REFER TO APPENDIX DWGS FOR BOTTOM DOOR CLEARANCES, RAIL PROFILES & PIVOTS

NOTES:

1. DETAILS NOT TO SCALE.
2. ELECTRICAL REQUIREMENTS:
 120VAC, 15AMP MIN. TO EACH CONTROLLER LOCATED REMOTE FROM OPERATOR. LOW VOLTAGE CONDUIT RUN FROM EACH CONTROLLER TO OPERATOR BY ELECTRICAL CONTRACTOR.
3. DOORS, FRAMES AND HARDWARE BY OTHERS. BOTTOM DOOR PIVOT BY TORMAX.
4. 32" CLEAR DOOR OPENING REQUIRED TO MEET A.D.A. REQUIREMENTS.
5. DOORS MUST BE NON-LATCHED FOR PROPER OPERATION.
6. OPERATOR CAN BE CONFIGURED TO MEET ANSI STANDARDS A156.10 & ANSI A156.19