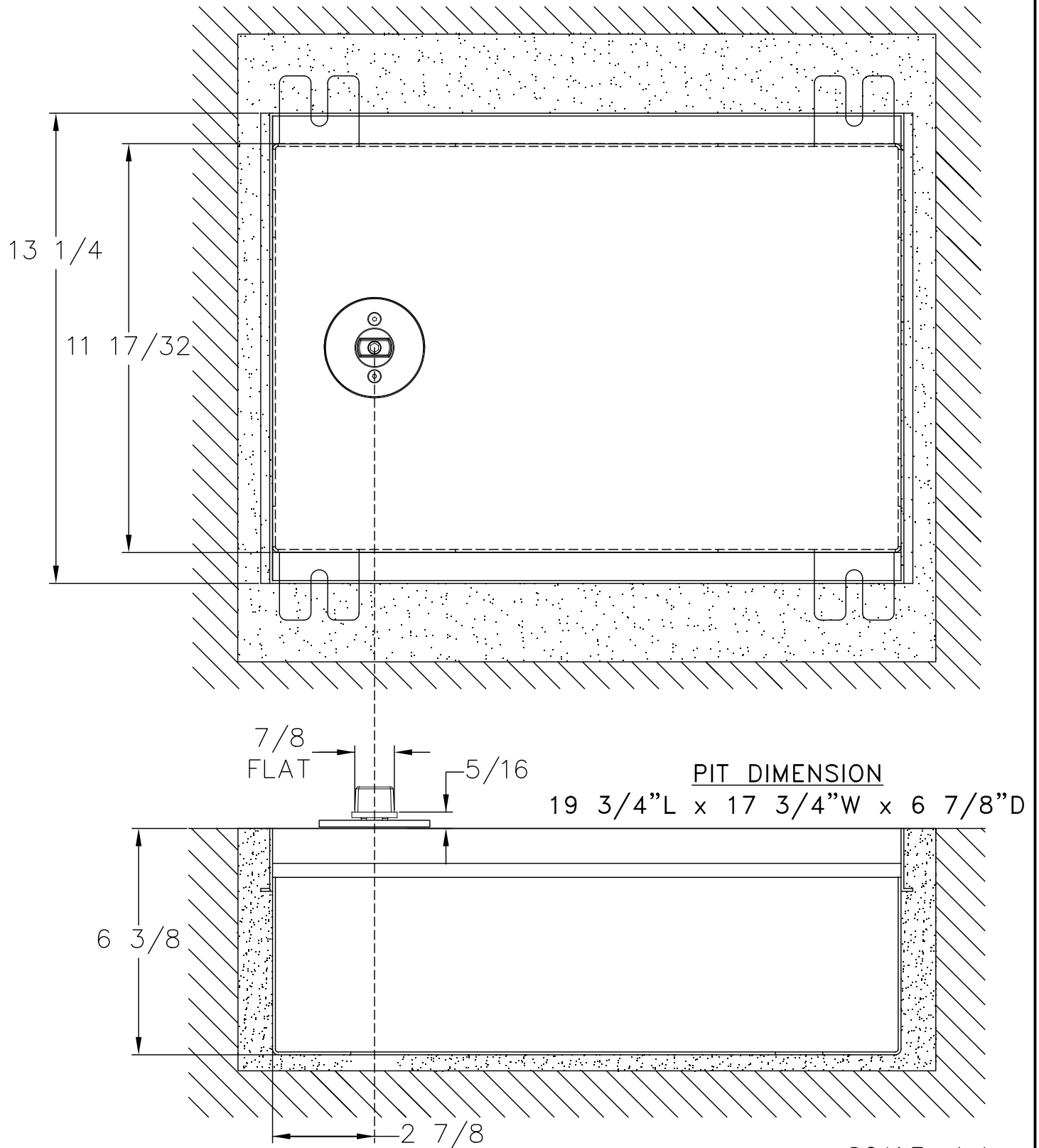


JOB NAME: _____ DATE: _____
 DOOR LOCATION: _____ DOOR NO: _____ SHEET ____ OF ____



PIT DIMENSION
 19 3/4" L x 17 3/4" W x 6 7/8" D

SCALE: 1:1