

JOB NAME: \_\_\_\_\_ DATE: \_\_\_\_\_

DOOR LOCATION: \_\_\_\_\_ DOOR NO: \_\_\_\_\_ SHEET \_\_\_\_ OF \_\_\_\_

**OPTIONAL EQUIPMENT**

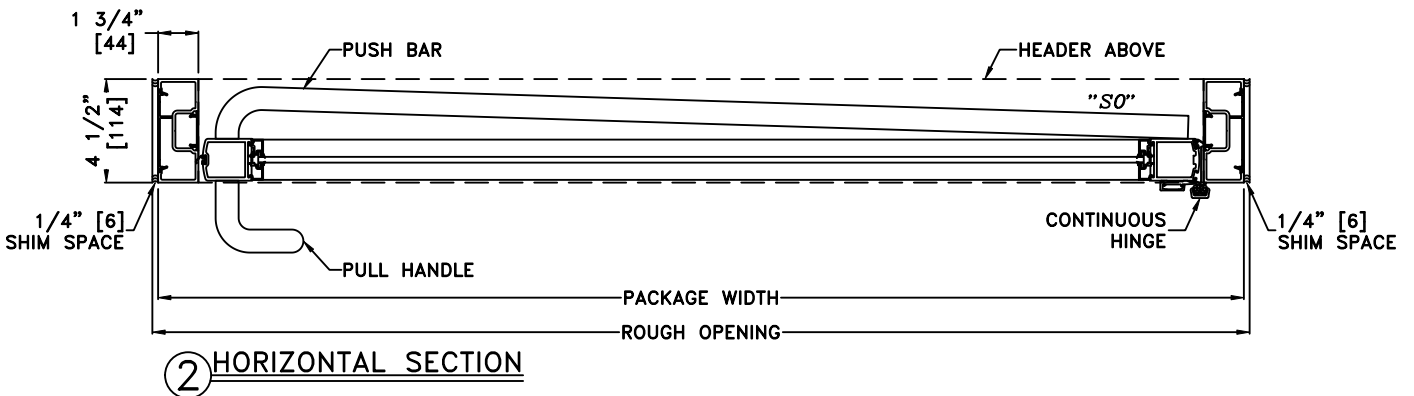
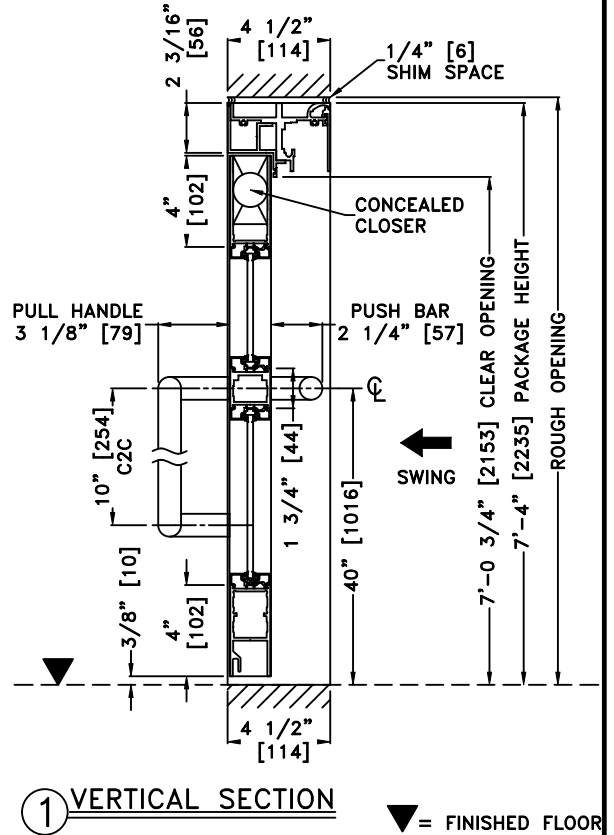
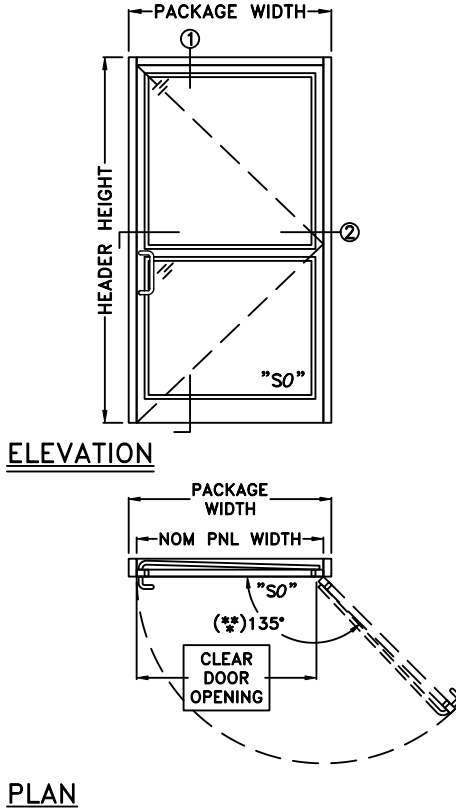
**MS LOCKING**

- \*  NONE
- STANDARD MORTISE KEY & THUMBTURN
- IC HOUSING/CORE (SMALL FORMAT)
- OTHER (SPECIFY): \_\_\_\_\_

**HANDLE TYPE**

- \*  PUSH/PULL BAR
- OTHER (SPECIFY): \_\_\_\_\_

\*DEFAULT OPTION



(\*\*) 135° NARROW STILES / 130° MEDIUM STILE

NOTES:  
 1. DETAILS NOT TO SCALE  
 2. DOOR PACKAGES ARE INDIVIDUALLY ENGINEERED TO FIT YOUR JOB REQUIREMENTS

| SAMPLE PACKAGE WIDTH INFORMATION |                            |                     |               |
|----------------------------------|----------------------------|---------------------|---------------|
| PACKAGE WIDTH                    | NOMINAL CLEAR DOOR OPENING | NOMINAL PANEL WIDTH | ROUGH OPENING |
| 39 1/2" [1003]                   | 33 9/16" [852]             | 36" [914]           | 40" [1016]    |
| 45 1/2" [1156]                   | 39 9/16" [1005]            | 42" [1067]          | 46" [1168]    |
| 47 1/2" [1207]                   | 41 9/16" [1056]            | 44" [1118]          | 48" [1219]    |
| 51 1/2" [1308]                   | 45 9/16" [1157]            | 48" [1219]          | 52" [1321]    |