



TORMAX

AUTOMATIC

iMOTION®

1301 & 1302

PARTS CATALOGUE

TORMAX USA Inc.

12859 Wetmore Rd.
SAN ANTONIO, TX 78247
(210) 494-3551
(210) 494-5930 [FAX]

v1.10



US802227 - CLEAR FINISH
 US802230 - BLACK FINISH
 (1301) OUTSWING DOOR
 ARM ASSY. (0-4 3/16" REVEAL)



US802228 - CLEAR FINISH
 US802231 - BLACK FINISH
 (1301) OUT SWING DOOR
 ARM ASSY. (4 1/8-9 7/8" REVEAL)



** NOTE ORDER SHAFT SCREW
 FOR 1301 #US801528

US802232 - CLEAR FINISH
 US802233 - BLACK FINISH
 (1301) DBL EGRESS OUTSWING
 ARM ASSY. (0-4 3/16" REVEAL)



US802234 - CLEAR FINISH
 US802235 - BLACK FINISH
 (1301) DBL EGRESS OUTSWING
 ARM ASSY. (4 1/8-9 7/8" REVEAL)



US802226 - CLEAR FINISH
 US802229 - BLACK FINISH
 (1301) INSWING ARM & SLIDE
 TRACK ASSY.(0"REVEAL TRACK 25 19/32)



US802236 - CLEAR FINISH
 US802237 - BLACK FINISH
 (1301) RH INSWING ARM& SLIDE
 TRACK ASSY. (DEEP REVEAL, 0-6")



US802238 - CLEAR FINISH
 US802239 - BLACK FINISH
 (1301) LH INSWING ARM & SLIDE
 TRACK ASSY.(DEEP REVEAL,0-6")



US801294 - CLEAR FINISH
 US801295 - BLACK FINISH
 (1301/ TTXII) INSWING DOOR
 DRIVE ARM LEVER



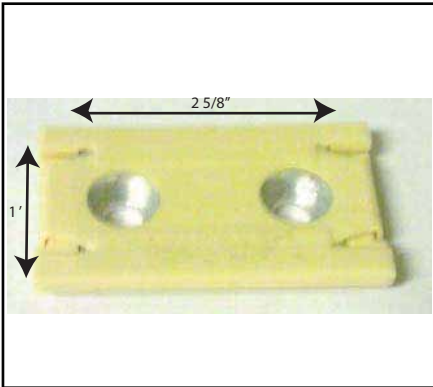
US801306 - CLEAR FINISH
 US801307 - BLACK FINISH
 (1301/TTXII) OUTSWING DOOR
 DRIVE ARM LEVER



US801296 - CLEAR FINISH
 US801298 - BLACK FINISH
 (1301/TTXII) OUTSWING DOOR ARM
 ADJ ELEMENT(0-4 3/16" REVEAL)

US801297 - CLEAR FINISH
 US801299 - BLACK FINISH
 (1301/TTXII) OUTSWING DOOR ARM
 ADJ ELEMENT(4 1/8-9 7/8" REVEAL)

US801292 - BLACK FINISH
 US801293 - CLEAR FINISH
 (1310/TTX II) DOOR TRACK
 (25 19/32")



US801301
 (1301/TTX II) SLIDE BLOCK
 PLASTIC INSERT
 (IN SWING DOOR ARM)

US801983
 OUTSWING BRUSH STAINLESS
 STEEL DOOR ARM
 (0-4 3/16" REVEAL)

US801984
 OUTSWING BRUSH STAINLESS
 STEEL DOOR ARM
 (4 1/8 - 9 7/8" REVEAL)



US801996
 INSWING BRUSH STAINLESS
 STEEL DOOR ARM
 (0" REVEAL)

US801983-P
 OUTSWING POLISH STAINLESS
 STEEL DOOR ARM
 (0-4 3/16" REVEAL)

US801984-P
 OUTSWING POLISH STAINLESS
 STEEL DOOR ARM
 (4 1/8 - 9 7/8" REVEAL)



US801996-P
 INSWING POLISH STAINLESS
 STEEL DOOR ARM
 (0" REVEAL)



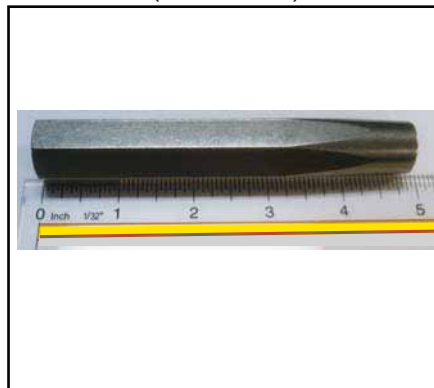
141020
 (1301/TTXII) DRIVE ARM SHAFT
 DOUBLE EGRESS/ DEEP
 REVEAL INSWING -2.65"
 (SIDE LOAD)



141032
 (1301/TTXII) DRIVE ARM SHAFT
 STANDARD IN & OUT APPL.-3.22"
 (SIDE LOAD)



141106
 (1301/TTX) DRIVE ARM SHAFT - 3.94"
 DOUBLE EGRESS OUT (SIDE LOAD)
 DOUBLE EGRESS IN (BOTTOM LOAD)



141205
 (1301/TTXII) DRIVE ARM SHAFT
 (SPECIAL APPLICATION 4.84")



US801966
 STAINLESS STEEL
 2.90" DRIVE ARM SHAFT



US801528
 1301 SHAFT BOLT



US801643
 1301 SHAFT EXTRACTION BOLT



★★★★★
TORMAX
 AUTOMATIC



US800694 - BLACK COVER
 (1301/TTXII) INSWING DOOR ARM SLIDE
 BLOCK ASSEMBLY



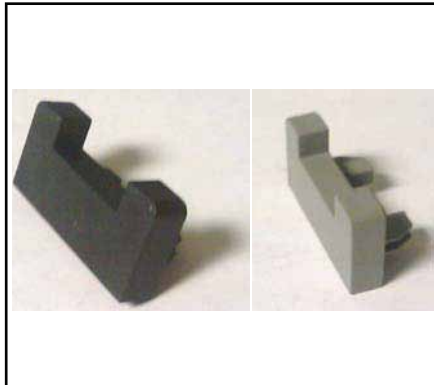
US801303 - BLACK COVER
 US801302 - GREY COVER
 (1301/TTXII) INSWING DOOR ARM
 SLIDE BLOCK ASSY C/W COVER



US801290 - BLACK COVER
 US801291 - GREY COVER
 (1301/TTXII) OUT DOOR ARM
 ATTACHMENT BRACKET C/W COVER



US801300 - GREY COVER
 (1301/TTX II) INSWING DOOR ARM
 SLIDE BLOCK ASSEMBLY



US801305 - BLACK CAP
 US801304 - GRAY CAP
 (1301/TTX II) END CAP -
 INSWING SLIDE TRACK



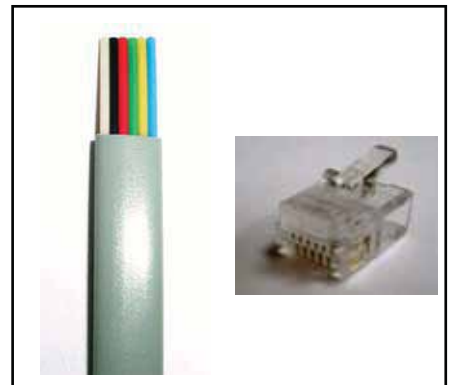
110743
 ARM STOP
 (CLEAR FINISH ONLY)



US801328
 iMOTION 1301 PROGRAMMER
 (WITH 6FT CORD)



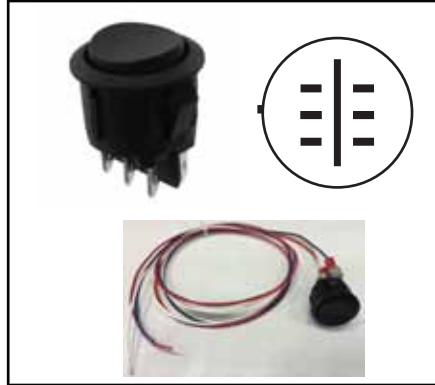
US801449
 LIN BUS CABLE ASSY. (7')
 US801573
 LIN BUS CABLE ASSY. (14')



US801198
 POLE LIN BUS CABLE (PER FT)
 US801199
 6 POLE LIN BUS CONNECTORS



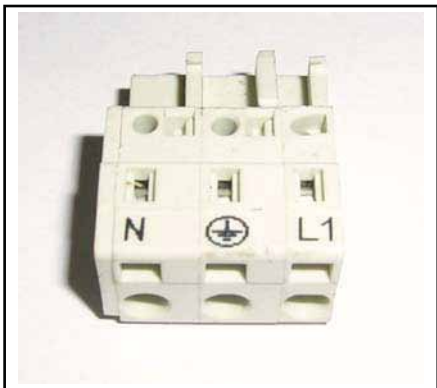
US801197
 6 POLE LIN BUS CRIMPING TOOL



US802121 SWITCH
 US802248 SWITCH W/ HARNESS
 3-POSITION ROUND ROCKER
 SWITCH (ON/OFF/HO)



140196 SWITCH
 141154 SWITCH W/ HARNESS
 3-POSITION ROCKER SWITCH
 (ON/OFF/HO)



140676
 MAINS PLUG



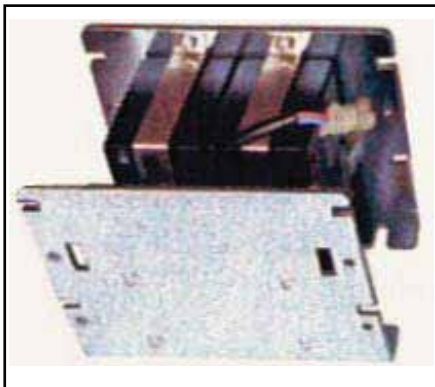
US801310
 TRANSFORMER
 1301/1302



332362-T5A FUSE
 (TEP/TLP2301/2401)
 US800864-T8 FUSE
 (TXP/2401/1301/TN110)



US801314
 FUSE HOLDER



US801102
 iMOTION BATTERY BACK-UP



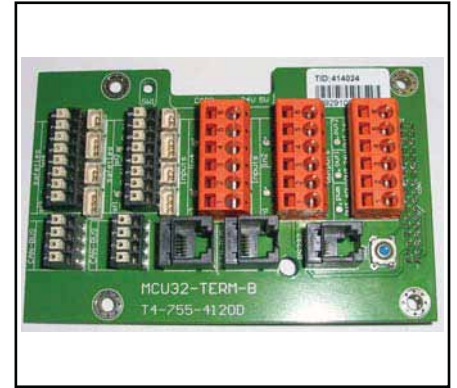
SVR.EVK
 BATTERY BACK-UP
 EXTENSION HARNESS



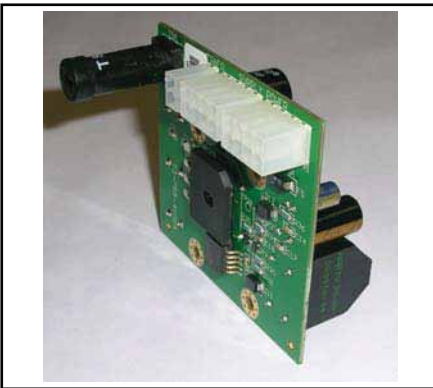
US801103
 iMOTION 1301 OPERATOR (NEW)
 US801282
 (REBUILT IN WARRANTY EXCHANGE)



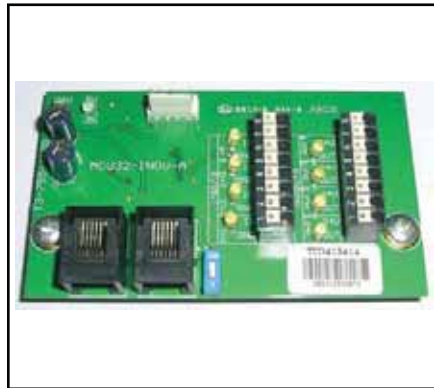
US801312
 iMOTION BASIC MODULE
 1301/ 1302



US801311
 iMOTION TERMINAL MODULE
 1301/ 1302



US801313
 1301 POWER SUPPLY MODULE
 1301/ 1302



US801405
 I/O MODULE - WITHOUT LIN BUS
 INTERFACE HARNESS ASSEMBLY
 1301/ 1302



US801316
 1301 MOTOR CABLE



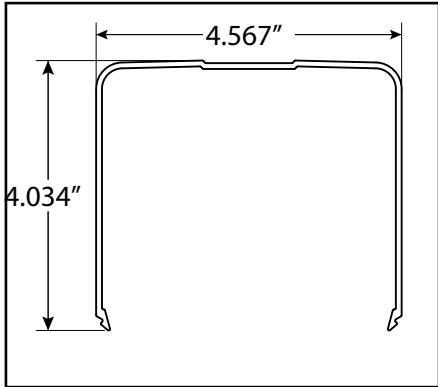
US801315
 1301 ENCODER CABLE



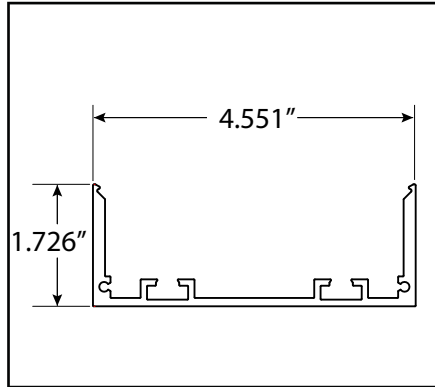
US801318
 1301 ABSOLUTE
 POTENTIOMETER



US801577
SKIPPER KIT - FOR 1301/1302
iMOTION PRODUCT (CD,USB
AND CONNECTOR CABLES



140197-01288 - CLEAR FINISH
 140197-02288 - DARK BRONZE
 SIDE LOAD COVER EXTRUSION



US800657-01288 - CLEAR FINISH
 US800657-02288 - DARK BRONZE
 SIDE LOAD MOUNTING PLATE
 EXTRUSION



141150 PLASTIC COVER PLATE
 DUMMY SPINDLE CUTOUT
 141151 PLASTIC SPINDLE RING
 SPINDLE CUTOUT



US802247
 SIDE LOAD HEADER END CAP
 (WITH ROUND SWITCH CUTOUT)



US800658
 SIDE LOAD HEADER END CAP
 (WITH FCP CUTOUT)



US800660
 SIDE LOAD HEADER END CAP
 (WITHOUT SWITCH CUTOUT)



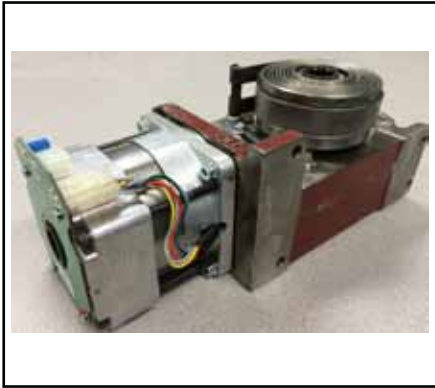
US800659
 SIDE LOAD HEADER END CAP
 (WITH SQUARE SWITCH CUTOUT)



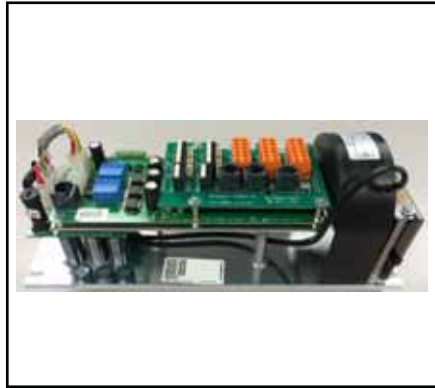
140737-03
 (1301/TTX II) COVER SCREW
 140737-04
 (1301/TTX II) END PLATE & COVER



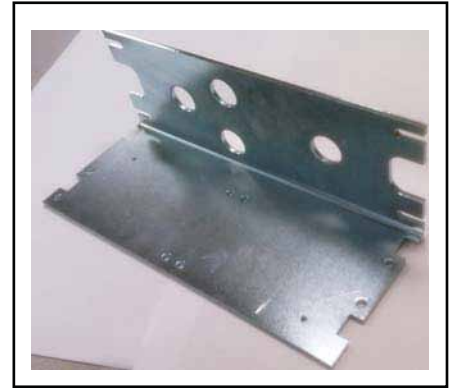
US800662
 T - NUT
 US800663
 1/4 - 20 x 3/8" HEX HD SERRATED
 FLANGE SCREW



US801703
 1302 OHC MOTOR/ GEARBOX (NEW)
 US801704
 (REBUILT IN WARRANTY EXCHANGE)



US801701
 1302 OHC CONTROL UNIT (NEW)
 US801702
 (REBUILT IN WARRANTY EXCHANGE)



140731
 OHC OPERATOR MOUNTING
 BRACKET
 (SAME AS TDA SERIES 100)



140730
 OHC CONTROL BOX
 MOUNTING BRACKET
 (SAME AS TDA SERIES 100)



STD.PKI
 1302 KI PANIC BREAKAWAY LATCH
 (SAME AS TDA 100)



348605
 AXIUM FLOOR PIVOT
 1302/ TDA KI



348560
 AXIUM END LOAD TOP
 DOOR ARM & SPACER BAR
 (SAME AS TDA 100)



M10 x 1.5 x 70mm Long,
 Hex Head, Full Thread

140240-16
 1302 SHAFT
 EXTRACTION BOLT
 (SAME AS TDA 100)



TID.345026
 1302 OUTPUT SHAFT
 (SAME AS TDA 100)



US801705
 HI-LO HALF DOME DOOR STOP



EAP.0005
 CLOSING SPRING



US801101
 FUNCTION CONTROL PANEL



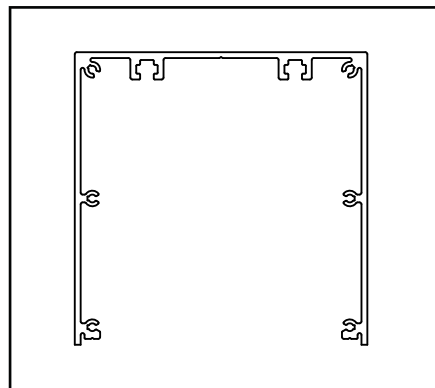
US801556
 MOUNTING PLATE
 FUNCTION CONTROL PANEL



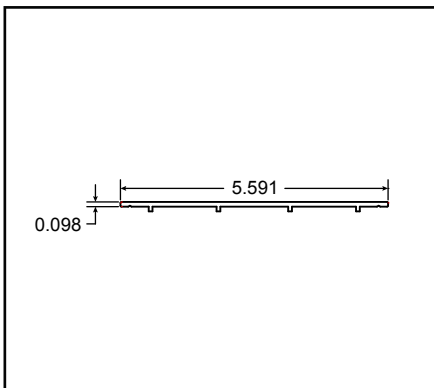
US801557
 COVER PLATE
 FUNCTION CONTROL PANEL



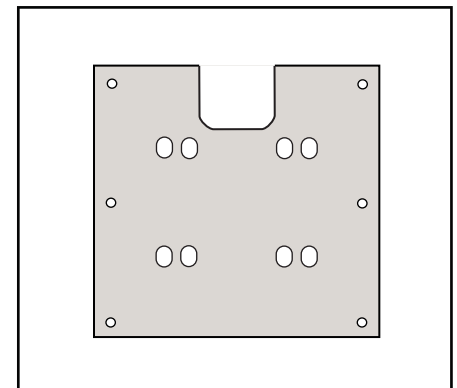
US801558
 SURFACE MOUNT BOX
 FUNCTION CONTROL PANEL



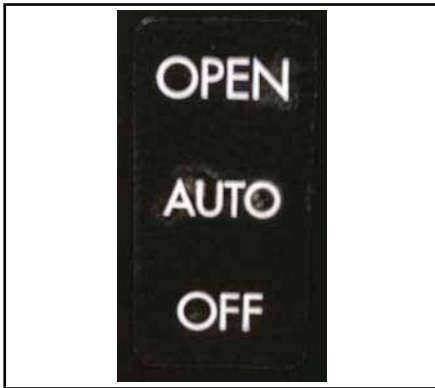
US801582-01 CL
 US801582-02 DB
 1302 OHC HEADER
 (SAME AS TDA 100)



US801581-01 CL
 US801581-02 DB
 1302 OHC COVER PLATE
 /(SAME AS TDA 100)



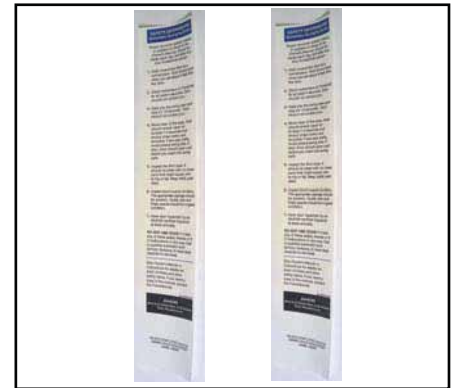
140732-01 CL
 140732-02 DB
 1302 END PLATE KIT - OHC/
 KI. HEADER



US800444
OPEN/AUTO/OFF
LABEL FOR SWITCH



390.9359 - TORMAX LOGO DECAL
140284 - AUTO DR ACT SW TO OP



US800865 - LOW ENERGY
140407 - HIGH ENERGY
SAFETY CHECK DECAL
FOR SWING DOORS



140290 - PULL/PUSH TO OPERATE
140291 - PUSH/PULL TO OPERATE



141031
EXIT - ONE WAY
2 SIDED WINDOW DECAL



140283
AUTOMATIC DOOR CAUTION
US801204
ADA ACCESSIBLE DECAL



US800460
iMOTION 1301 DECAL PACKAGE
(SINGLE APPLICATION)



US801284
iMOTION 1301 DECAL PACKAGE
(PAIR APPLICATION)



141030
ENTER ARROW - ONE WAY
US801470
BI-DIRECTIONAL ARROW