



TORMAX

AUTOMATIC

iMOTION[®] TN110

IN-FLOOR SWING DOOR OPERATOR

PARTS CATALOGUE

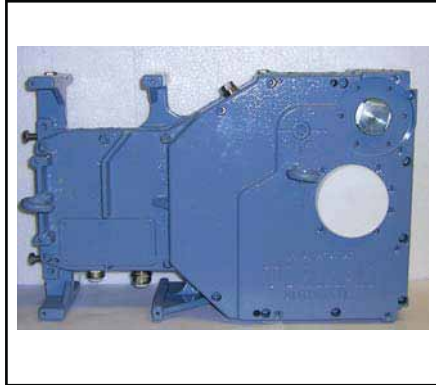
TORMAX USA Inc.

12859 Wetmore Rd.
SAN ANTONIO, TX 78247
(210) 494-3551
(210) 494-5930 [FAX]

v1.07



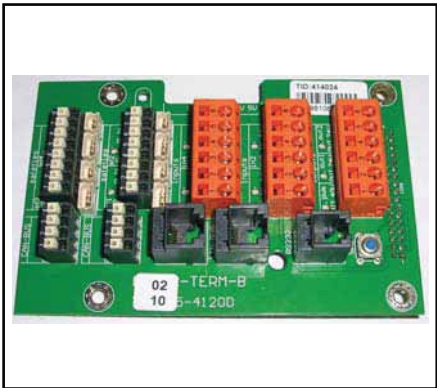
US801368
 CONTROL UNIT W/ ENCLOSURE
 US801442
 IN WARRANTY REPLACEMENT



US801367
 iMOTION TN 110 OPERATOR
 US801363
 IN WARRANTY REPLACEMENT



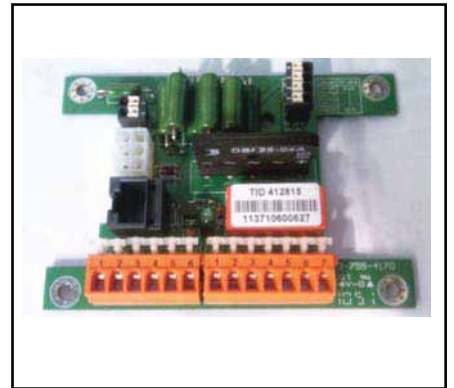
US801312
 BASIC MODULE - MCU32



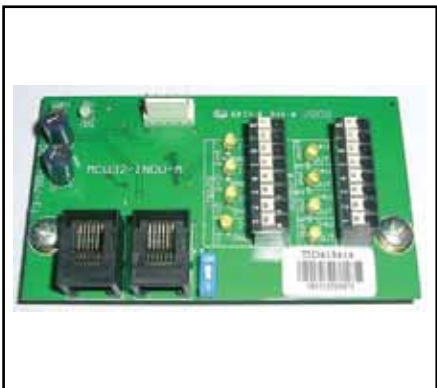
US801311
 TERMINAL MODULE



US801392
 POWER SUPPLY MODULE



US801409
 BRAKE MODULE



US801405
 INPUT/OUTPUT MODULE



US801356
 FUNCTION CONTROL PANEL ASSY
 WITH 75' OF LIN BUS CABLE



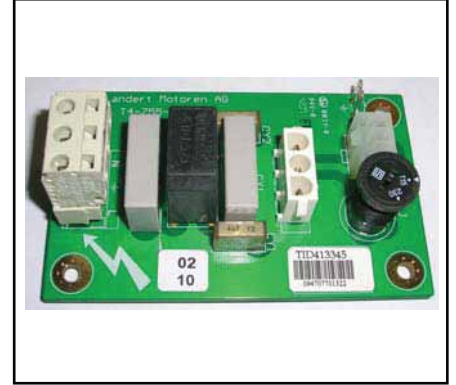
US801101
 FUNCTION CONTROL PANEL



US801440
BATTERY BACKUP



US801399
BATTERY MODULE



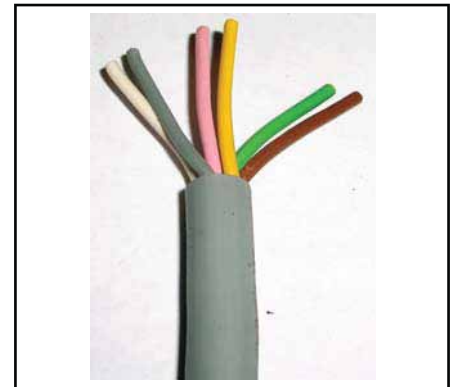
US801408
MAINS FILTER
WITH VOLTAGE SELECTOR



US801441
TRANSFORMER



US801379
7 POLE SHIELDED CABLE
(MOTOR TO CONTROL, UP TO 82')



US801378
6 POLE SHIELDED CABLE
(ENCODER TO CONTROL, UP TO 82')



US801198
6 POLE LIN BUS CABLE
(SOLD PER FOOT)



US801199
6 POLE LIN BUS CONNECTORS



US801197
6 POLE LIN BUS CRIMPING TOOL



US801314
FUSE HOLDER



332362
FUSE (T5A)



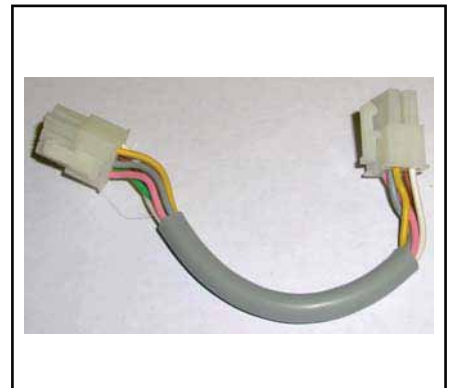
US800864
FUSE (T8AL, 250V)



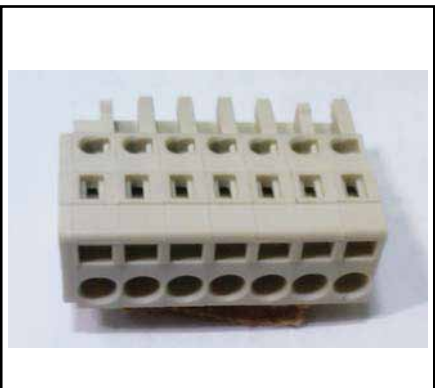
US801387
POWER BUS CABLE



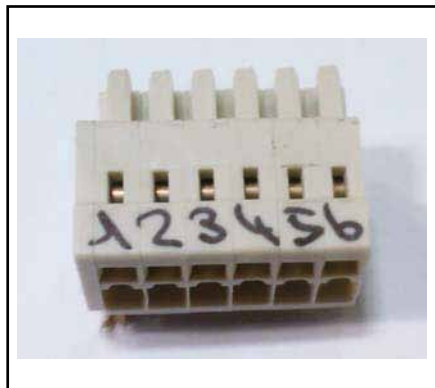
US801389
ENCODER CABLE



US801390
MOTOR CABLE



US801517
TN 110-MOTOR PLUG-7 PIN,5MM



US801516
TN 110 ENCODER PLUG-6PIN,3.5MM

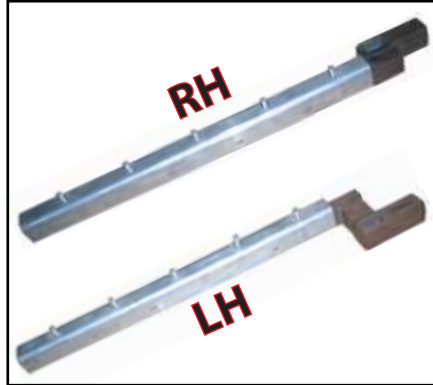


STN.MB
DOOR ARM DRIVER

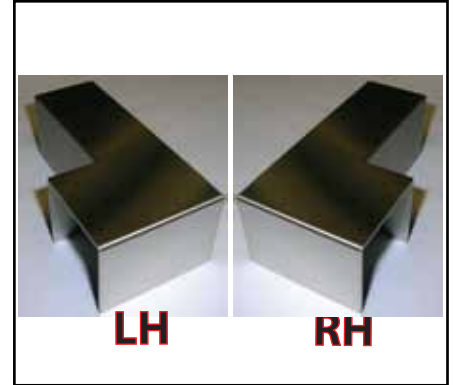
★★★★★
TORMAX
 AUTOMATIC



STN.TAGS
 CENTER PIVOT DOOR SHOE ASSY
 WITH SOUND ABSORBER



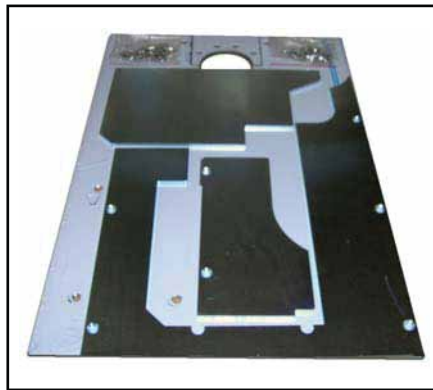
STN.TAEL - LEFT HAND OFFSET DOOR
 SHOE ASSY W/ SOUND ABSORBER
 STN.TAER - RIGH HAND OFFSET DOOR
 SHOE ASSY W/ SOUND ABSORBER



141063 - RH SS OFFSET DOOR
 SHOE PIVOT CAP
 141065 - LH SS OFFSET DOOR
 SHOE PIVOT CAP



US801361
 UNIVERSAL FLOOR BOX



US801364
 STAINLESS STEEL COVER
 AND ACCESSORIES



US801365
 TERRAZZO COVER PLATE



US801560
 FLANGE FOR TN-110



US801559
 DRIVE SHAFT SEAL FOR TN-110



US802442
 SHAFT CAP AND SCREWS
 TN-110

★★★★★
TORMAX
 AUTOMATIC



US801362
 STANDARD DRIVE SHAFT
 US801366
 EXTENDED DRIVE SHAFT



US802440
 DRIVE SHAFT NOT MACHINED,
 6½" LONG, W/ SHAFT CAP
 AND SCREWS



US801395
 METALIC SCREWED GLAND
 CABLE (WATER PROOF)



US801562
 TN110 JACKING BOLT (4PCS.)
 W/SHAFT BOLT & WRENCH



US801561
 M6 x 12 FLANGE SCREWS
 TN 110 OPERATOR (x6)



US801376
 DOOR ARM -CENTRIC
 PANIC DEVICE (SHORT SHAFT)



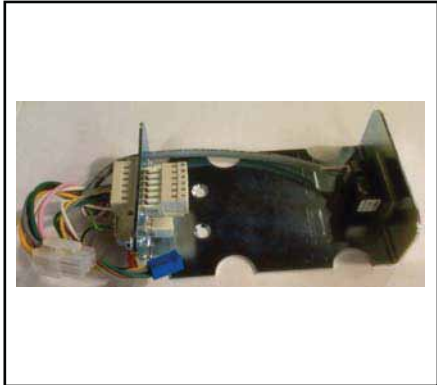
US801396
 M5x12RD CTSK COVER
 PLATE SCREW - TN110 (x4)



US801397
 M5x16 RD CTSK COVER
 SCREW - TN 110 (x4)



US801377
 DOOR ARM -CENTRIC
 PANIC DEVICE (LONG SHAFT)



US801586
MOTOR CONNECTING
UNIT



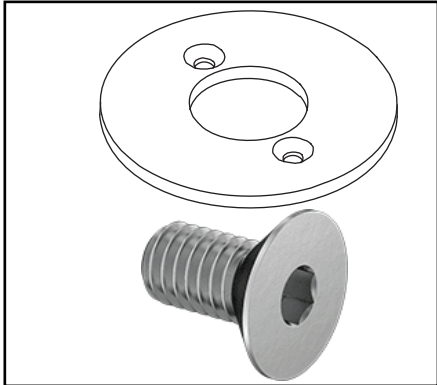
US801585
MOTOR UNIT
(OPERATOR)



US801398
FLAT GASKET COVER



US801394
1 OPERATOR COVER
WITH SEAL, 6 SCREWS



US802320

TN110 - CRL DRIVE SHAFT COVER
 (USED WITH US802500)

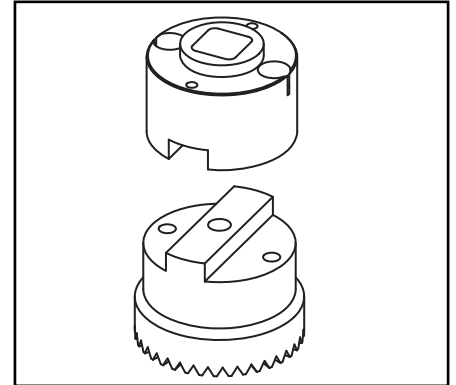
US802363

M4-0.70 x 8mm FLAT HEAD SCREW



US802500

TN110 CRL FLAT
 TAPER SHAFT



US802498

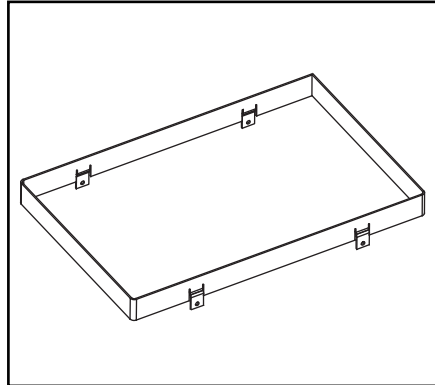
TN110 CRL (TOP) FLAT TAPER SHAFT
 US802499

TN110 CRL (BOTTOM) FLAT TAPER
 SHAFT



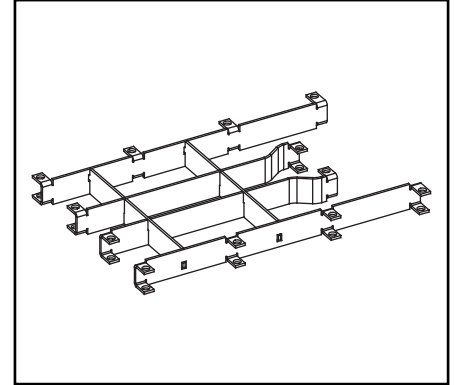
US802501

1/4 - 20 x 1.25" SOCKET HEAD
 CAP SCREW ZINC
 (USED WITH US802500)



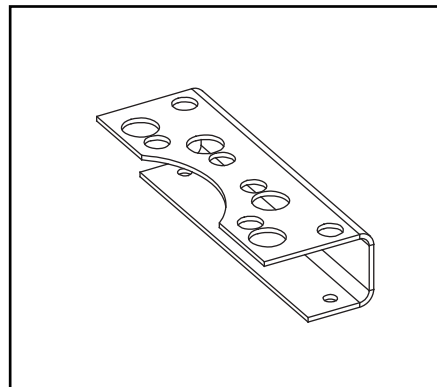
US802323

TN110 - CRL STAINLESS STEEL
 RING ADAPTER



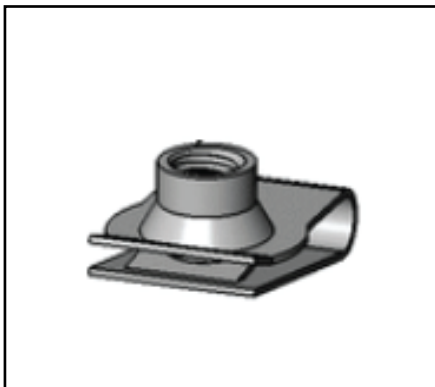
US802321

TN110 - CRL STAINLESS COVER
 SUPPORT SPACER - WELDMENT



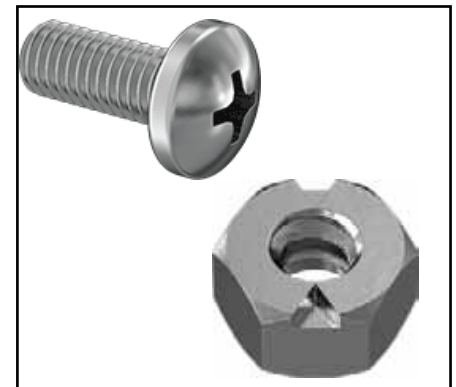
US802322

TN110 - CRL SMALL STAINLESS
 STEEL COVER SUPPORT



US802324

M5 x 0.8mm THREAD, NO-SLIP
 CLIP NUT

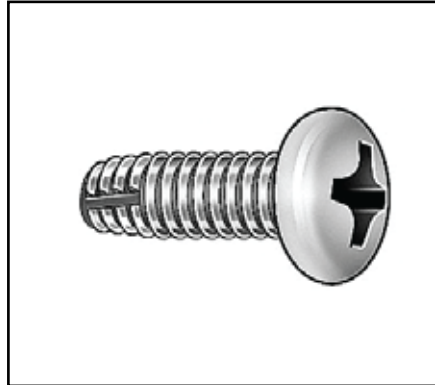


US802327

M5 x 12mm PHILIPS PAN HEAD SCREW
 US800418
 10-24 LOCKING HEX NUT
 (BOTH PARTS ZINC FINISH)



140242-09
#10 SAE FLAT WASHER
ZINC FINISH



140245-61
10-24 x 3/8" PAN HEAD
THREAD CUTTING SCREW
ZINC FINISH



US802354-0.125
1/8" CRL TAPERED TYPE SPINDLE
FLOOR MOUNTED CLOSER



US802354-0.3125
5/16" CRL TAPERED TYPE SPINDLE
FLOOR MOUNTED CLOSER



US802354-0.500
1/2" CRL TAPERED TYPE SPINDLE
FLOOR MOUNTED CLOSER



US802354-0.750
3/4" CRL TAPERED TYPE SPINDLE
FLOOR MOUNTED CLOSER



US802354-0.875
7/8" CRL TAPERED TYPE SPINDLE
FLOOR MOUNTED CLOSER



US802354-1.125
1-1/8" CRL TAPERED TYPE SPINDLE
FLOOR MOUNTED CLOSER



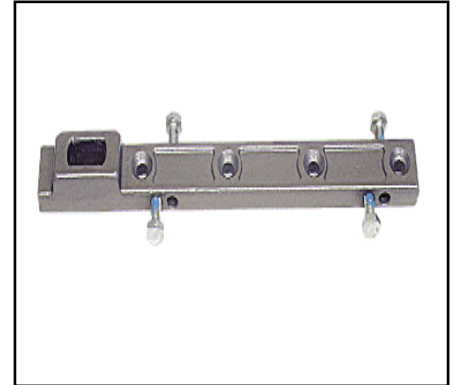
US802354-1.3125
1-5/16" CRL TAPERED TYPE SPINDLE
FLOOR MOUNTED CLOSER



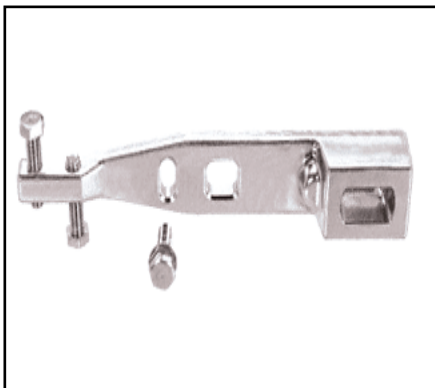
US802352
 CRL BOTTOM LOW PROFILE
 PIVOT INSERT



US802353
 CRL LOW PROFILE BOTTOM
 DOOR PATCH INSERT



US802365
 CRL ADJUSTABLE CENTER-HUNG
 FLOOR MOUNTED CLOSER ARM
 (ENTICE)



US802364
 CRL CENTER-HUNG FLOOR
 CLOSER ARM
 (WEDGE-LOCK)



US802357-1-75L
 CRL SATIN CHROME 3/4" OFFSET
 LH (RHR) BOTTOM ARM FOR
 USE WITH FLOOR CLOSERS



US802357-1-75R
 CRL SATIN CHROME 3/4" OFFSET
 RH (LHR) BOTTOM ARM FOR
 USE WITH FLOOR CLOSERS



US802357-2-75L
 CRL DARK BRONZE 3/4" OFFSET
 LH (RHR) BOTTOM ARM FOR
 USE WITH FLOOR CLOSERS



US802357-2-75R
 CRL DARK BRONZE 3/4" OFFSET
 RH (LHR) BOTTOM ARM FOR
 USE WITH FLOOR CLOSERS



US802358-1-1.5L
 CRL SATIN CHROME 1-1/2" OFFSET
 LH (RHR) BOTTOM ARM



US802358-1-1.5R
CRL SATIN CHROME 1-1/2" OFFSET
RH (LHR) BOTTOM ARM



US802358-2-1.5L
CRL BRONZE 1-1/2" OFFSET
LH (RHR) BOTTOM ARM



US802358-2-1.5R
CRL BRONZE 1-1/2" OFFSET
RH (LHR) BOTTOM ARM



140284
 AUTOMATIC DOOR ACTIVATE
 SWITCH TO OPERATE DECAL



US801204
 ADA ACCESSIBLE DECAL



US800865 - LOW ENERGY
 140407 - HIGH ENERGY
 SAFETY CHECK DECAL
 FOR SWING DOORS



140290 - PULL/PUSH TO OPERATE
 140291 - PUSH/PULL TO OPERATE



141031
 DO NOT ENTER
 DECAL - 2 SIDED



140283
 AUTOMATIC DOOR CAUTION



US801359
 iMOTION 1301 DECAL PACKAGE
 (SINGLE APPLICATION)



US801358
 iMOTION 1301 DECAL PACKAGE
 (PAIR APPLICATION)



141030
 ARROW DECAL - 2 SIDED