

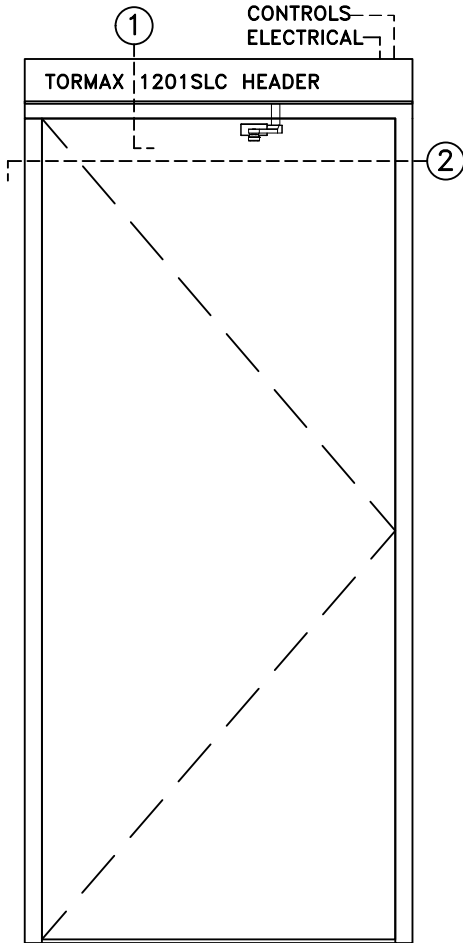


# TORMAX 1201SLC SWING DOOR OPERATOR

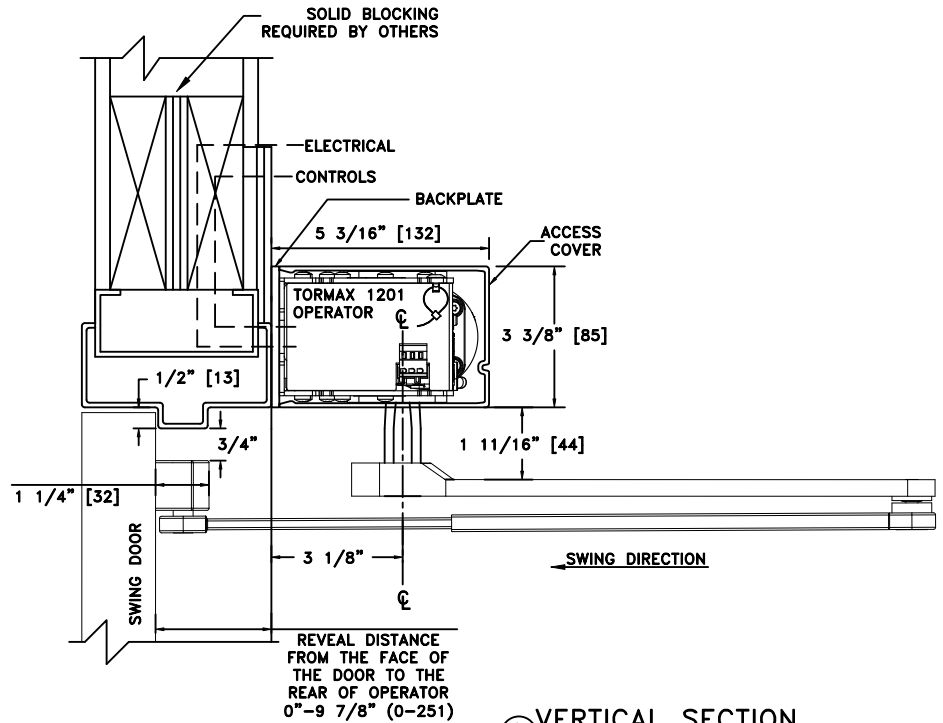
SINGLE DOOR W/ SLIM LINE HEADER, VISIBLE R.H. OUTSWING BUTT HUNG, OR OFFSET PIVOT APPLICATION

JOB NAME: \_\_\_\_\_ DATE: \_\_\_\_\_

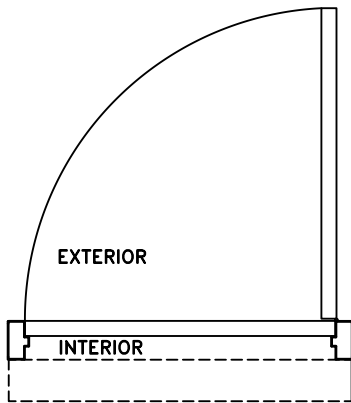
DOOR LOCATION: \_\_\_\_\_ DOOR NO: \_\_\_\_\_ SHEET \_\_\_\_\_ OF \_\_\_\_\_



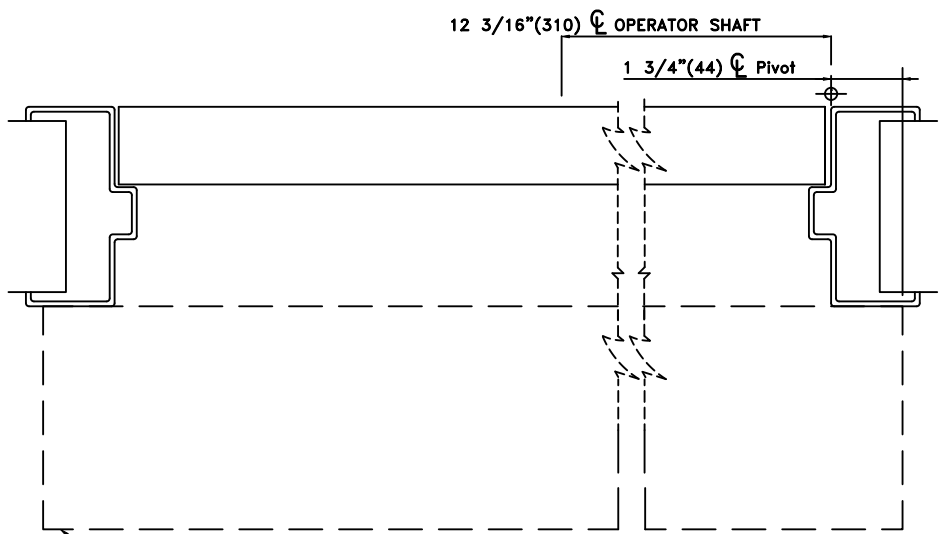
ELEVATION



① VERTICAL SECTION



PLAN



② HORIZONTAL SECTION

**NOTES:**

1. DETAILS NOT TO SCALE.
2. ELECTRICAL REQUIREMENTS:  
120VAC, 5AMPS MIN. TO OPERATOR BY ELECTRICAL CONTRACTOR.
3. DOORS, FRAMES AND HARDWARE BY OTHERS.
4. 32" CLEAR DOOR OPENING REQUIRED TO MEET A.D.A. REQUIREMENTS.
5. DOORS MUST BE NON-LATCHED FOR PROPER OPERATION.
6. OPERATOR CAN BE CONFIGURED TO MEET ANSI STANDARDS A156.10 & ANSI A156.19