

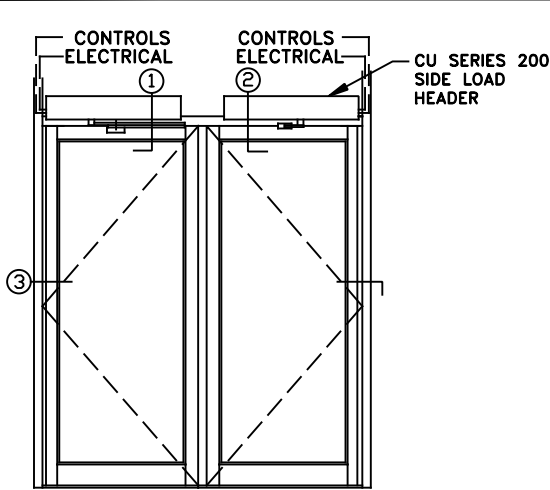


IMOTION® 1301 SWING DOOR OPERATOR

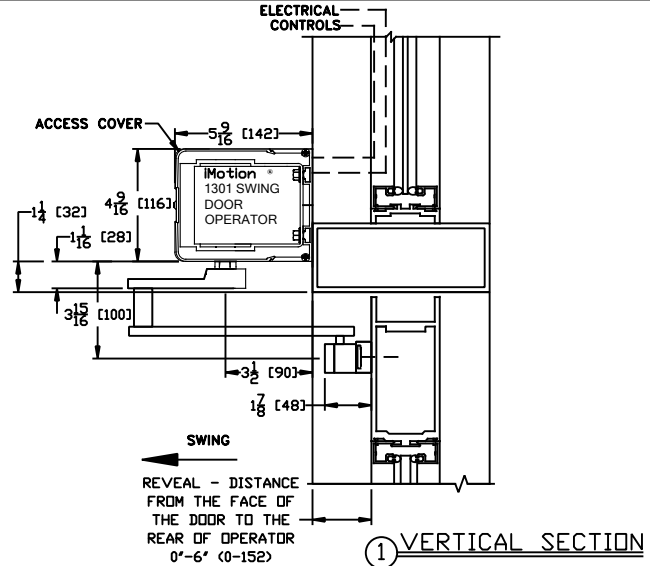
DUAL INDEPENDENT OPERATOR, VISIBLE R.H. INSWING, R.H. OUTSWING CENTER PIVOT NON-PANIC APPLICATION

JOB NAME: \_\_\_\_\_ DATE: \_\_\_\_\_

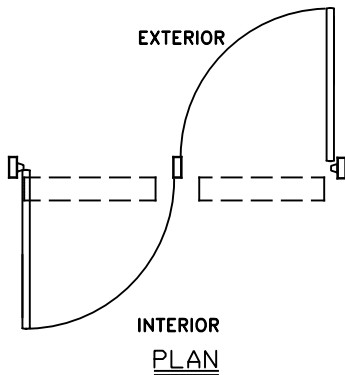
DOOR LOCATION: \_\_\_\_\_ DOOR NO: \_\_\_\_\_ SHEET \_\_\_\_\_ OF \_\_\_\_\_



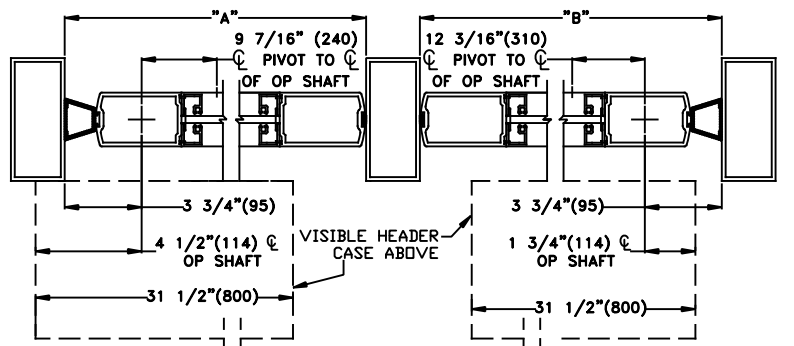
ELEVATION



1 VERTICAL SECTION



PLAN



3 HORIZONTAL SECTION

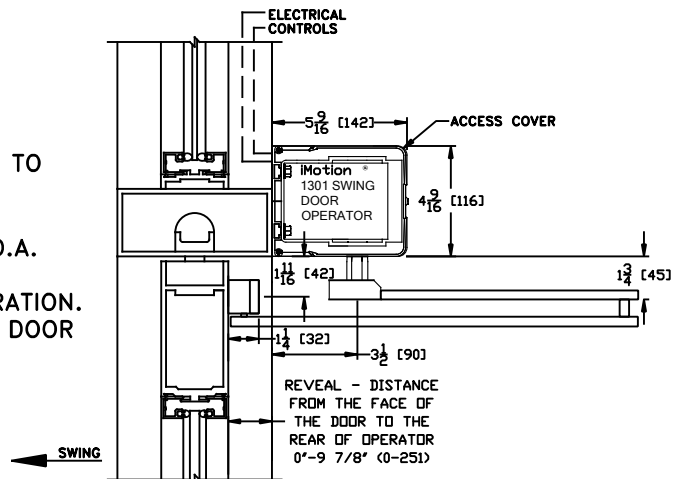
**DOOR OPENING**

A=MIN. 31" (787)-MAX 49"(1245)

B=MIN. 28 1/4" (717)-MAX 49"(1245)

**NOTES:**

1. DETAILS NOT TO SCALE.
2. ELECTRICAL REQUIREMENTS: 120VAC, 5AMPS MIN. TO OPERATOR BY ELECTRICAL CONTRACTOR.
3. DOORS, FRAMES AND HARDWARE BY OTHERS.
4. 32" CLEAR DOOR OPENING REQUIRED TO MEET A.D.A. REQUIREMENTS.
5. DOORS MUST BE NON-LATCHED FOR PROPER OPERATION.
6. OPERATOR HEADER IS AVAILABLE FOR FULL WIDTH DOOR APPLICATIONS.
7. OPERATOR CAN BE CONFIGURED TO MEET ANSI STANDARDS A156.10 & ANSI A156.19
8. DOOR CLOSED STOP REQUIRED BY OTHERS FOR INSWING & OUTSWING DOORS.



2 VERTICAL SECTION