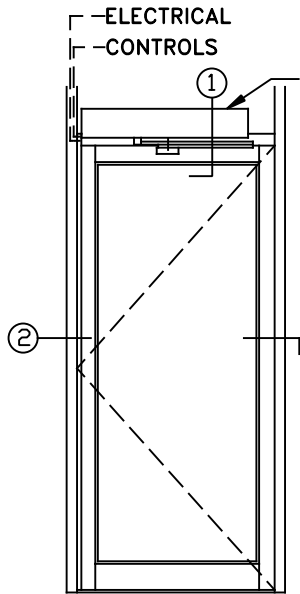




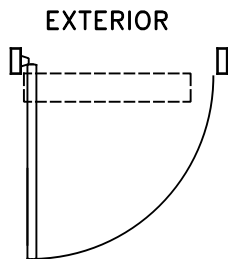
**iMOTION® 1301 SWING DOOR OPERATOR**

**SINGLE DOOR, VISIBLE R.H. INSWING CENTER PIVOT  
NON-PANIC APPLICATION**

JOB NAME: \_\_\_\_\_ DATE: \_\_\_\_\_  
 DOOR LOCATION: \_\_\_\_\_ DOOR NO: \_\_\_\_\_ SHEET \_\_\_\_ OF \_\_\_\_

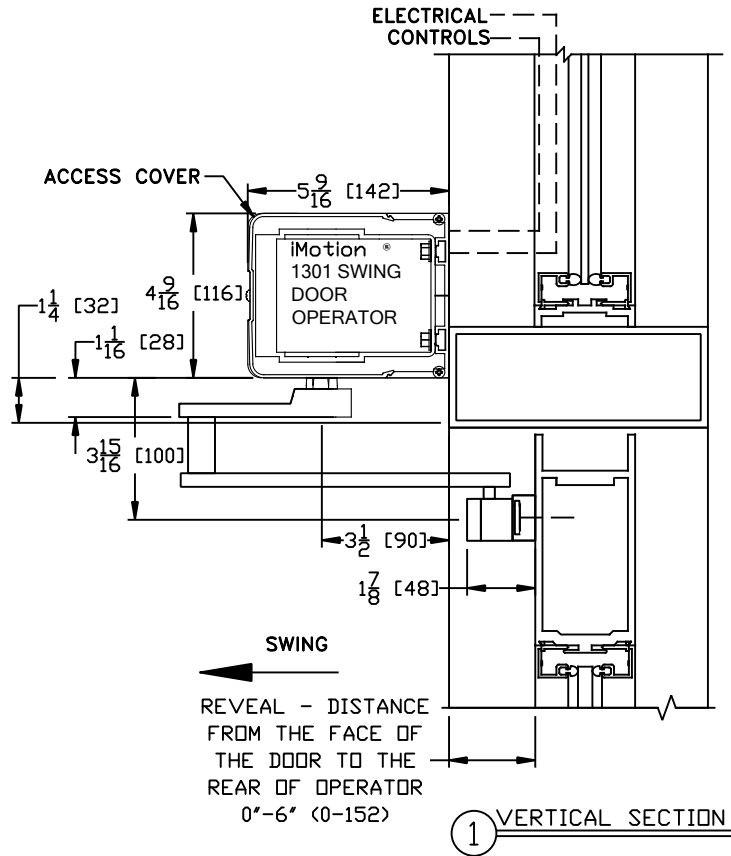


ELEVATION

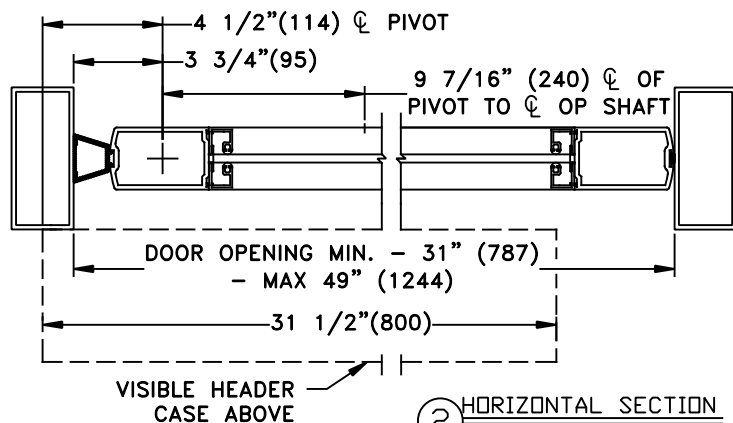


INTERIOR

PLAN



① VERTICAL SECTION



② HORIZONTAL SECTION

**NOTES:**

1. DETAILS NOT TO SCALE.
2. ELECTRICAL REQUIREMENTS:  
120VAC, 5AMPS MIN. TO OPERATOR BY ELECTRICAL CONTRACTOR.
3. DOORS, FRAMES AND HARDWARE BY OTHERS.
4. 32" CLEAR DOOR OPENING REQUIRED TO MEET A.D.A. REQUIREMENTS.
5. DOORS MUST BE NON-LATCHED FOR PROPER OPERATION.
6. OPERATOR HEADER IS AVAILABLE FOR FULL WIDTH DOOR APPLICATIONS.
7. OPERATOR CAN BE CONFIGURED TO MEET ANSI STANDARDS A156.10 & ANSI A156.19
8. DOOR CLOSED STOP REQUIRED BY OTHERS FOR INSWING DOOR.