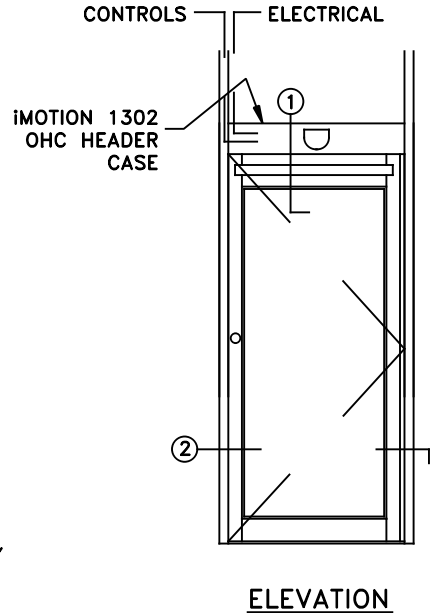
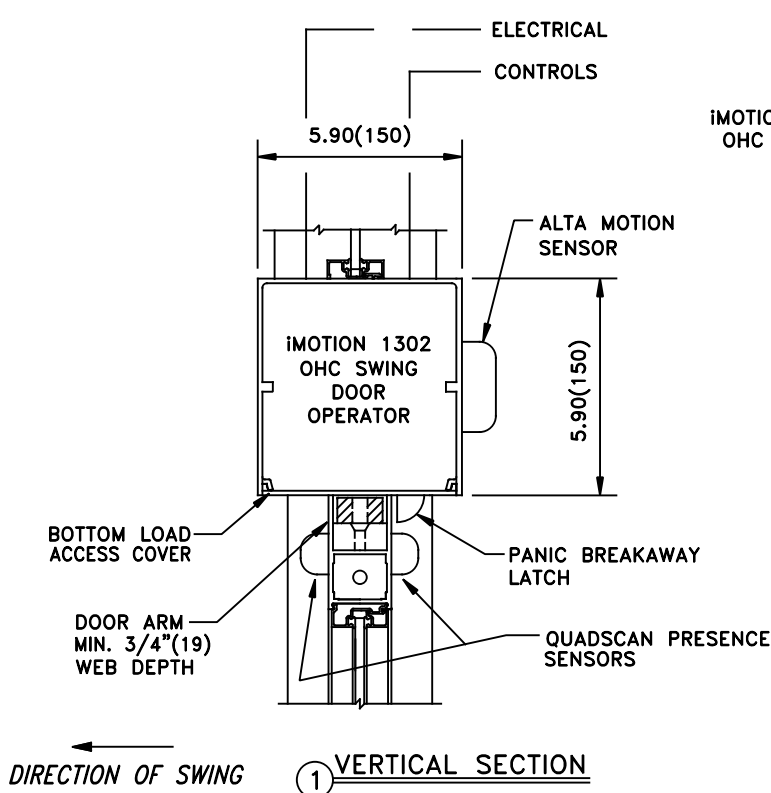
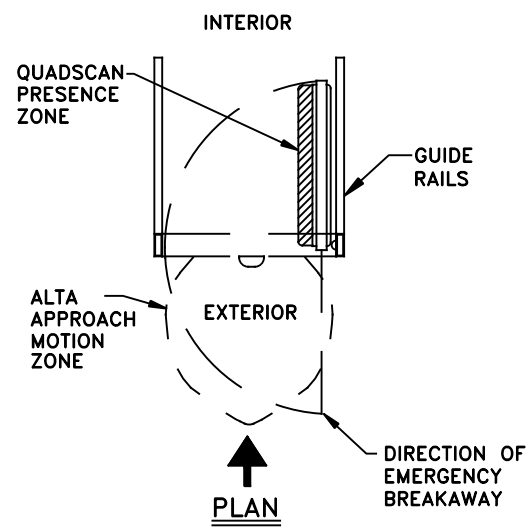
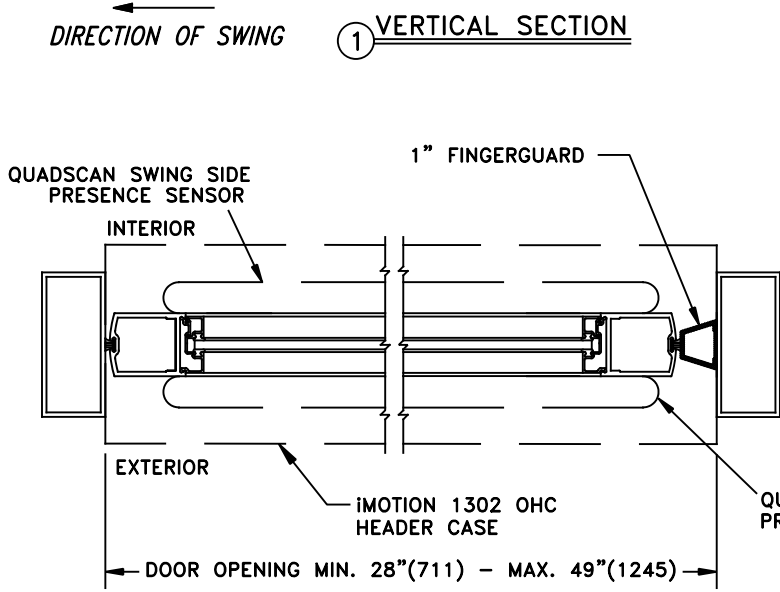


iMOTION 1302 OHC SWING DOOR OPERATOR
SINGLE UNIT RIGHT HAND INSWING

JOB NAME: _____ DATE: _____
 DOOR LOCATION: _____ DOOR NO: _____ SHEET ____ OF ____



ELEVATION



PLAN

- NOTES:
1. DETAILS NOT TO SCALE.
 2. ELECTRICAL REQUIREMENTS:
120VAC, 5AMPS MIN. TO OPERATOR
BY ELECTRICAL CONTRACTOR.
 3. DOORS, FRAMES AND HARDWARE BY OTHERS.
 4. 32" CLEAR DOOR OPENING REQUIRED TO MEET A.D.A.
REQUIREMENTS.
 5. DOORS MUST BE NON-LATCHED FOR PROPER OPERATION.