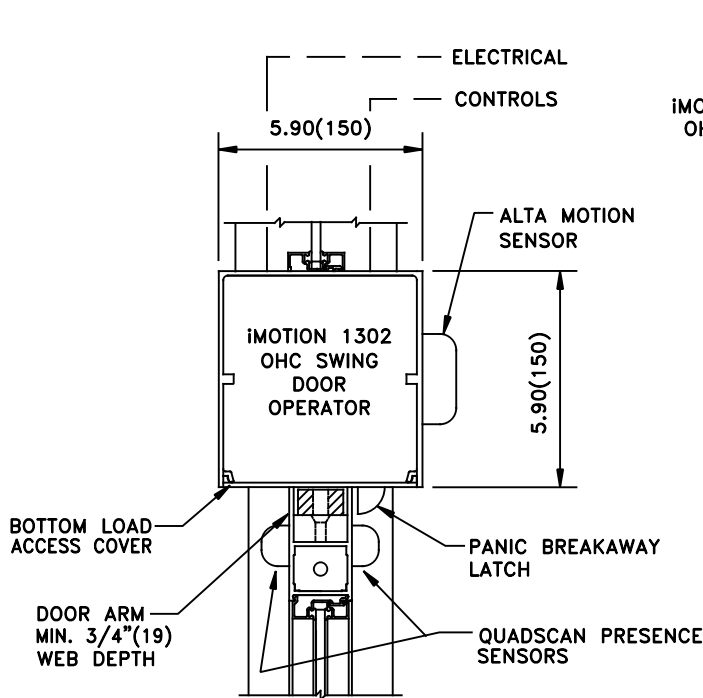


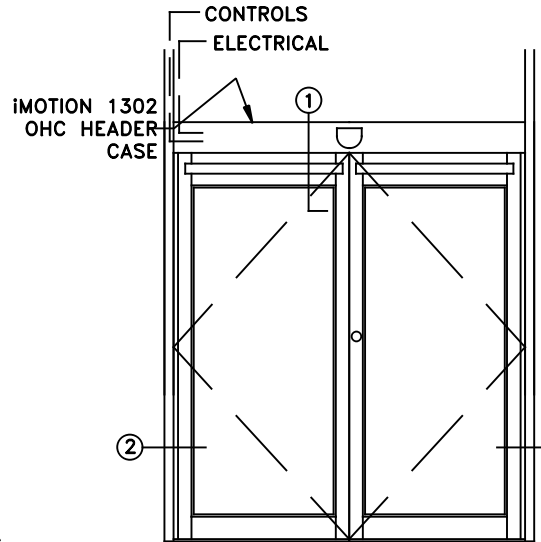
**iMOTION 1302 OHC SWING DOOR OPERATOR**  
**SIMULTANEOUS PAIR – INSWING**

JOB NAME: \_\_\_\_\_ DATE: \_\_\_\_\_

DOOR LOCATION: \_\_\_\_\_ DOOR NO: \_\_\_\_\_ SHEET \_\_\_\_ OF \_\_\_\_

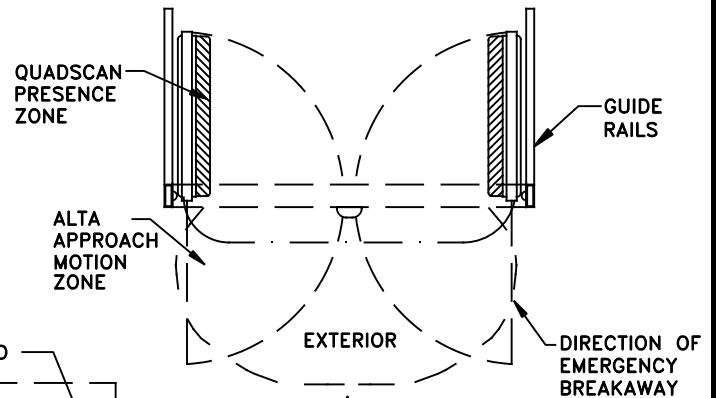


① VERTICAL SECTION

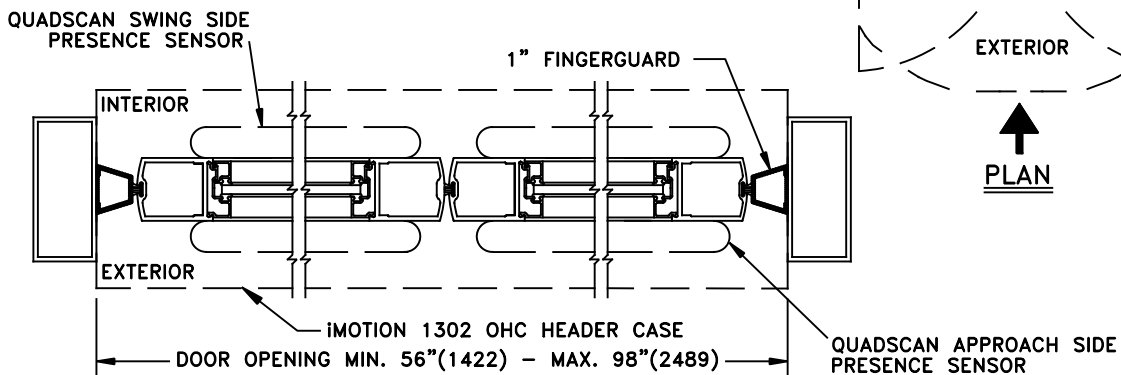


ELEVATION

INTERIOR



PLAN



② HORIZONTAL SECTION

**NOTES:**

1. DETAILS NOT TO SCALE.
2. ELECTRICAL REQUIREMENTS:  
120VAC, 5AMPS MIN. TO EACH OPERATOR BY ELECTRICAL CONTRACTOR.
3. DOORS, FRAMES AND HARDWARE BY OTHERS.
4. 32" CLEAR DOOR OPENING REQUIRED TO MEET A.D.A. REQUIREMENTS.
5. DOORS MUST BE NON-LATCHED FOR PROPER OPERATION.