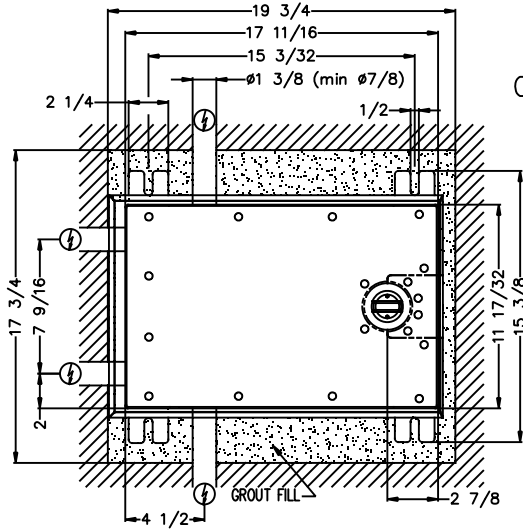
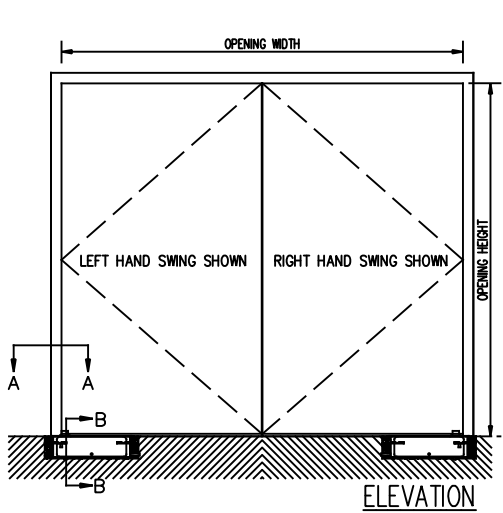


JOB NAME: _____ DATE: _____

DOOR LOCATION: _____ DOOR NO: _____ SHEET _____ OF _____

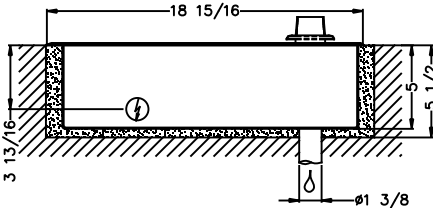
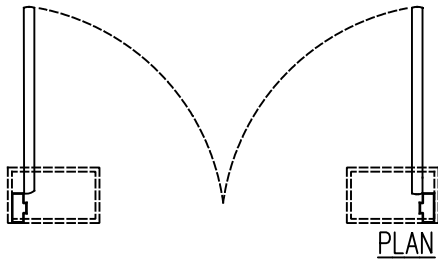


OPERATOR AND FLOOR BOX
 TOP VIEW

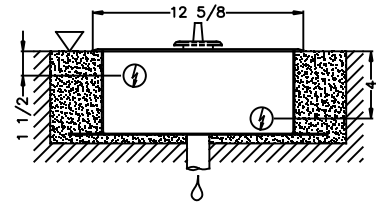
OPTION A
 - STANDARD LENGTH SHAFT
 - STAINLESS STEEL COVER

PIT DIMENSION
 19 3/4"L x 17 3/4"W x 5 1/2"D

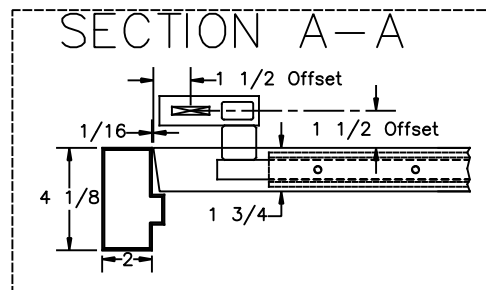
FLOOR BOX - OPTION A



FRONT SECTION

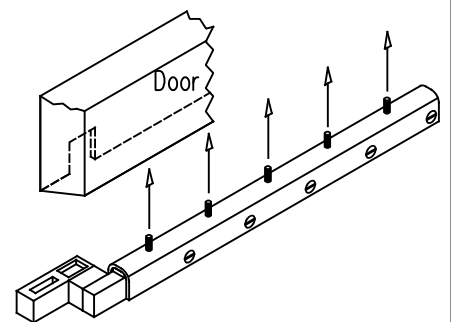


END SECTION B-B



OFFSET PIVOT

- ▽ Concrete or Finished Floor
- ⊕ Weep Drain Required
- ⚡ Possible Electrical Feed



OFFSET PIVOT

REFER TO THRESHOLD DETAIL
 DRAWING FOR DISTANCE FROM
 BOTTOM OF DOOR SHOE TO
 FINISHED FLOOR

NOTES:

1. DETAILS NOT TO SCALE.
2. ELECTRICAL REQUIREMENTS:
 120VAC, 15AMP MIN. TO EACH CONTROLLER LOCATED REMOTE FROM OPERATOR. LOW VOLTAGE CONDUIT RUN FROM EACH CONTROLLER TO OPERATOR BY ELECTRICAL CONTRACTOR.
3. DOORS, FRAMES AND HARDWARE BY OTHERS.
4. 32" CLEAR DOOR OPENING REQUIRED TO MEET A.D.A. REQUIREMENTS.
5. DOORS MUST BE NON-LATCHED FOR PROPER OPERATION.
6. OPERATOR CAN BE CONFIGURED TO MEET ANSI STANDARDS A156.10 & ANSI A156.19