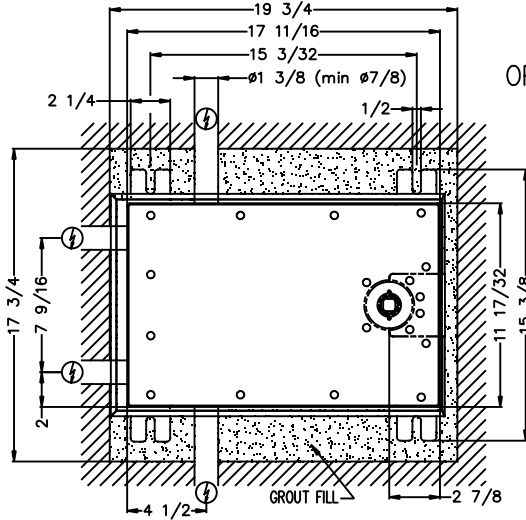
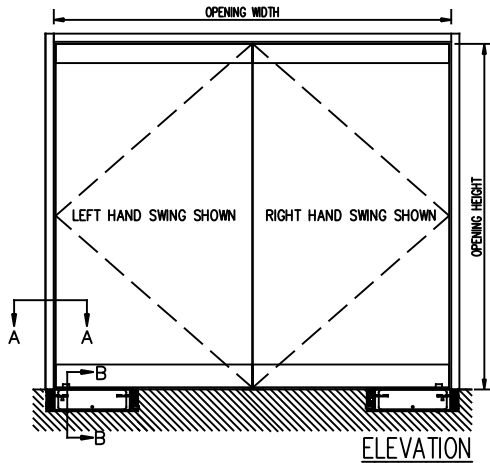


JOB NAME: _____ DATE: _____

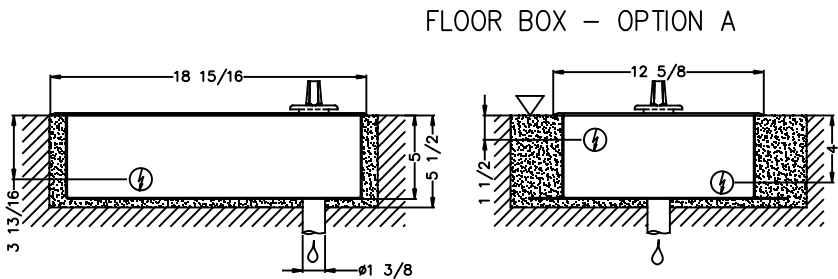
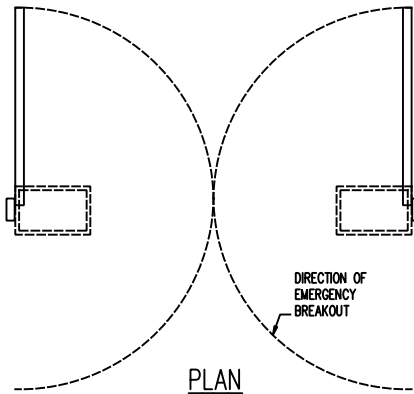
DOOR LOCATION: _____ DOOR NO: _____ SHEET ____ OF ____



OPERATOR AND FLOOR BOX TOP VIEW

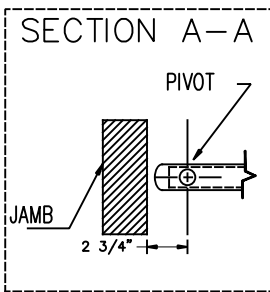
OPTION A
 - STANDARD LENGTH SHAFT
 - STAINLESS STEEL COVER

PIT DIMENSION
 19 3/4" L x 17 3/4" W x 5 1/2" D

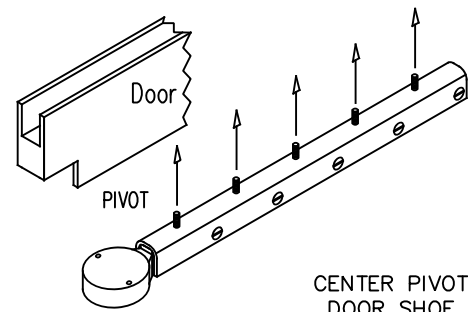


FRONT SECTION

END SECTION B-B



CENTER PIVOT



- ▽ Concrete or Finished Floor
- ⚡ Weep Drain Required
- ⚡ Possible Electrical Feed

NOTES:

1. DETAILS NOT TO SCALE.
2. ELECTRICAL REQUIREMENTS:
 120VAC, 15AMP MIN. TO EACH CONTROLLER LOCATED REMOTE FROM OPERATOR. LOW VOLTAGE CONDUIT RUN FROM EACH CONTROLLER TO OPERATOR BY ELECTRICAL CONTRACTOR.
3. DOORS, FRAMES AND HARDWARE BY OTHERS.
4. 32" CLEAR DOOR OPENING REQUIRED TO MEET A.D.A. REQUIREMENTS.
5. DOORS MUST BE NON-LATCHED FOR PROPER OPERATION.
6. OPERATOR CAN BE CONFIGURED TO MEET ANSI STANDARDS A156.10 & ANSI A156.19

REFER TO THRESHOLD DETAIL DRAWING FOR DISTANCE FROM BOTTOM OF DOOR SHOE TO FINISHED FLOOR