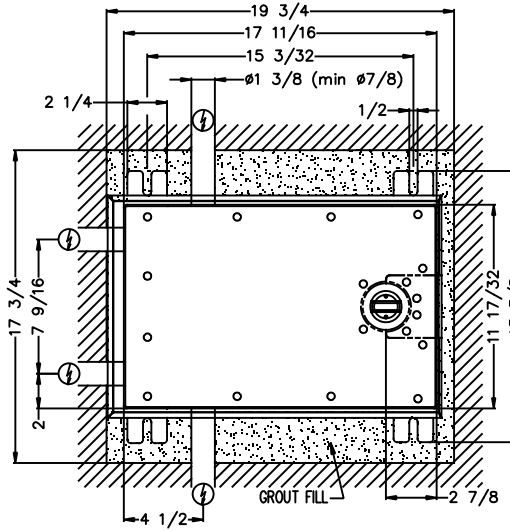
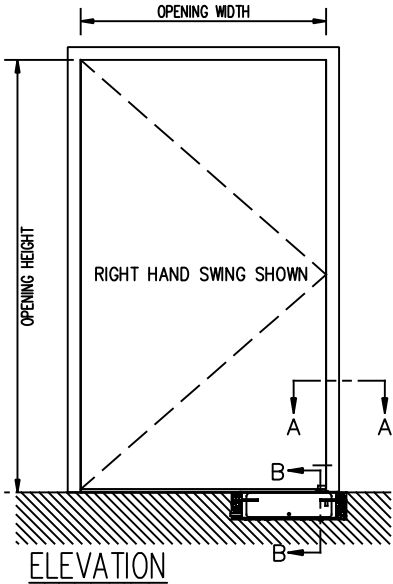


JOB NAME: _____ DATE: _____

DOOR LOCATION: _____ DOOR NO: _____ SHEET ____ OF ____

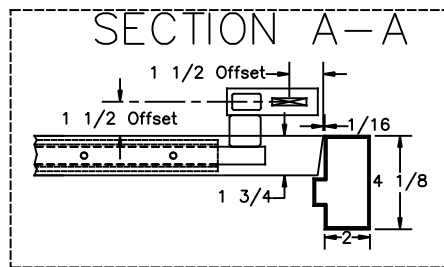
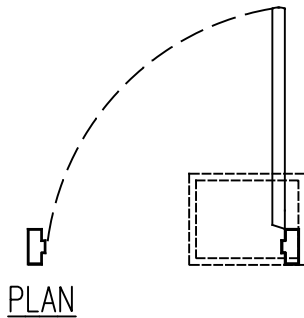
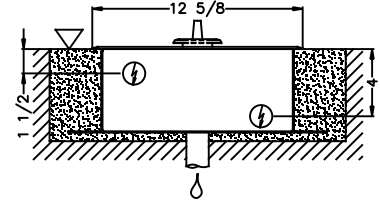
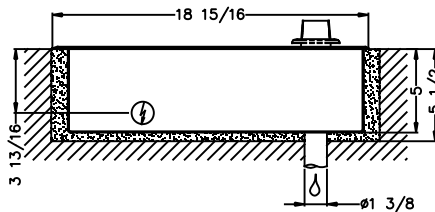


**OPERATOR AND FLOOR BOX
 TOP VIEW**

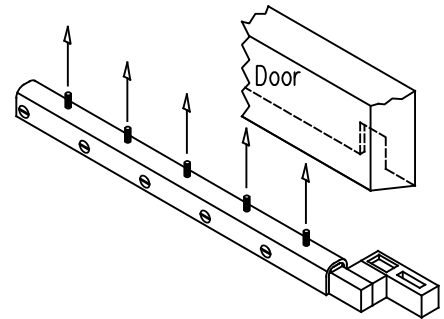
OPTION A
 - STANDARD LENGTH SHAFT
 - STAINLESS STEEL COVER

PIT DIMENSION
 19 3/4" L x 17 3/4" W x 5 1/2" D

FLOOR BOX - OPTION A



OFFSET PIVOT



OFFSET PIVOT

- ▽ Concrete or Finished Floor
- ⊕ Weep Drain Required
- ⚡ Possible Electrical Feed

DOOR SHOES ARE FABRICATED
 TO MATCH OFFSET PIVOT

REFER TO THRESHOLD DETAIL
 DRAWING FOR DISTANCE
 FROM BOTTOM OF DOOR
 SHOE TO FINISHED FLOOR

NOTES:

1. DETAILS NOT TO SCALE.
2. ELECTRICAL REQUIREMENTS:
 120VAC, 15AMP MIN. TO EACH CONTROLLER LOCATED REMOTE FROM OPERATOR. LOW VOLTAGE CONDUIT RUN FROM EACH CONTROLLER TO OPERATOR BY ELECTRICAL CONTRACTOR.
3. DOORS, FRAMES AND HARDWARE BY OTHERS.
4. 32" CLEAR DOOR OPENING REQUIRED TO MEET A.D.A. REQUIREMENTS.
5. DOORS MUST BE NON-LATCHED FOR PROPER OPERATION.
6. OPERATOR CAN BE CONFIGURED TO MEET ANSI STANDARDS A156.10 & ANSI A156.19