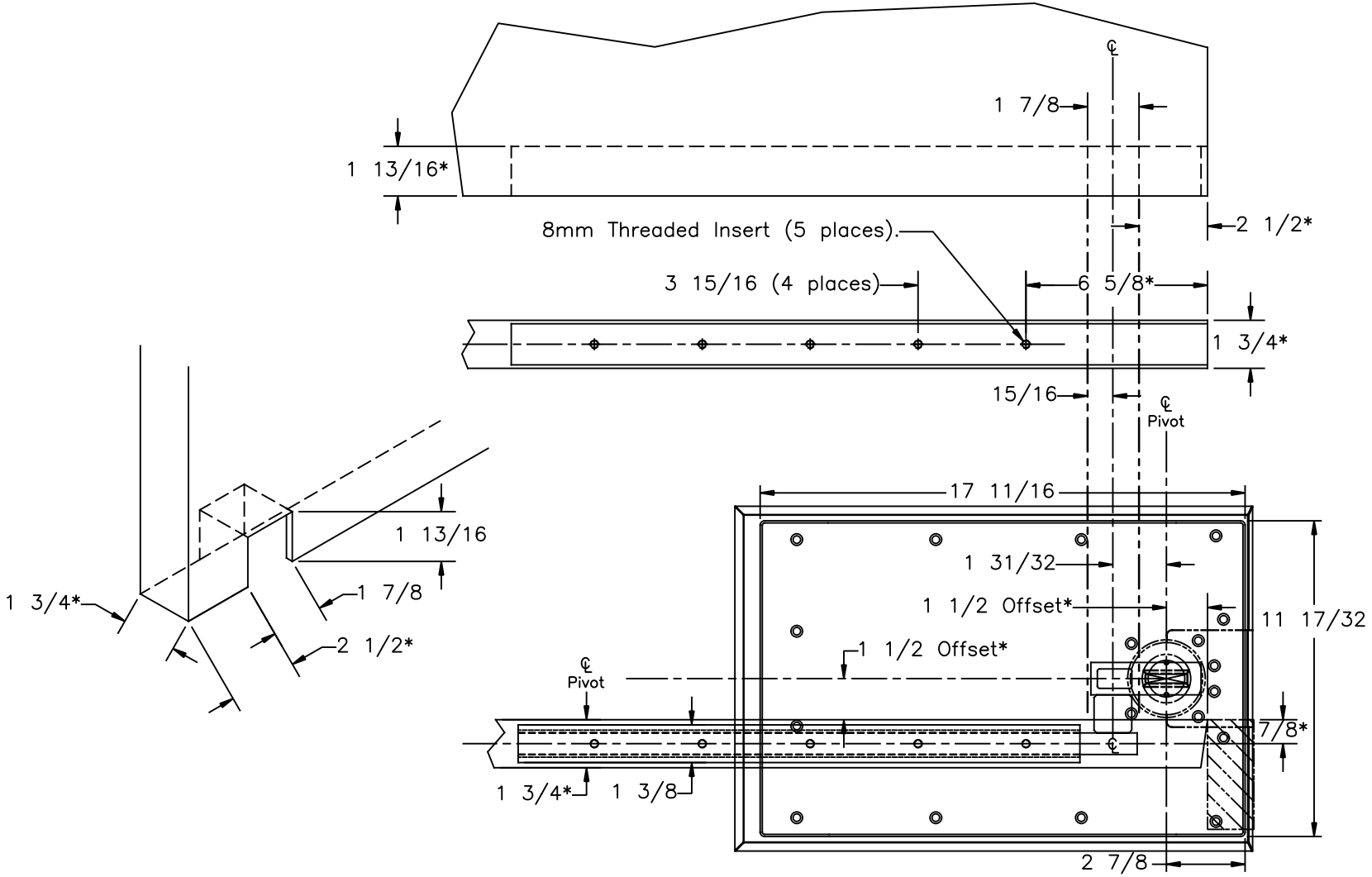


JOB NAME: _____ DATE: _____
 DOOR LOCATION: _____ DOOR NO: _____ SHEET ___ OF ___



NOTES:
 *INDICATES JOB SPECIFIC DIMENSION
 TORMAX WILL FABRICATE DOOR SHOE TO
 MATCH HINGE TYPE

SCALE: 1:1