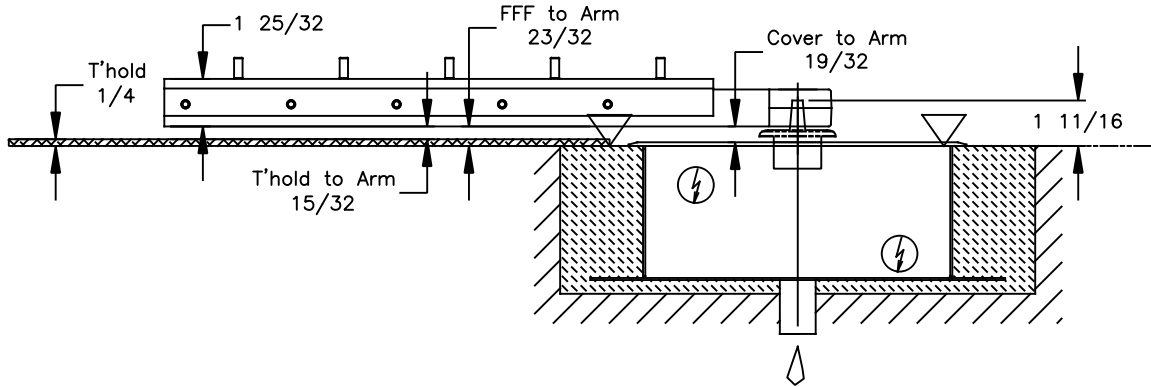
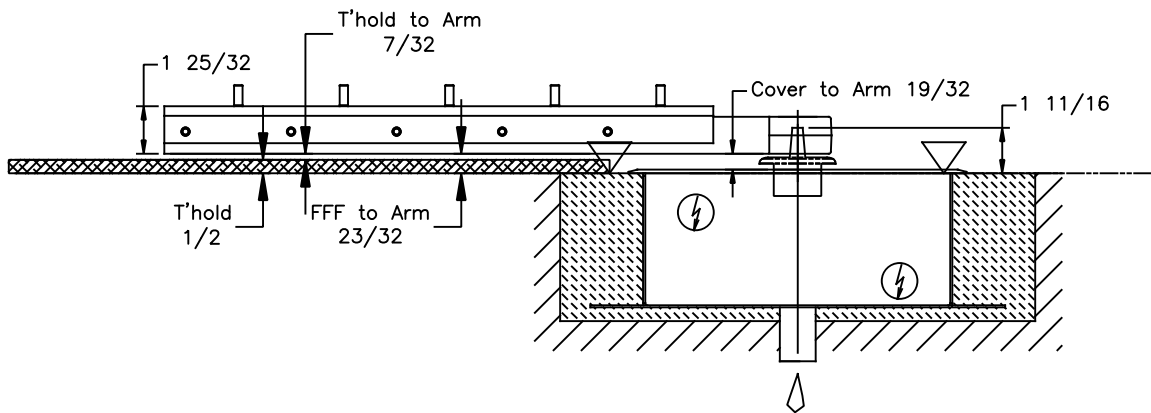


JOB NAME: _____ DATE: _____

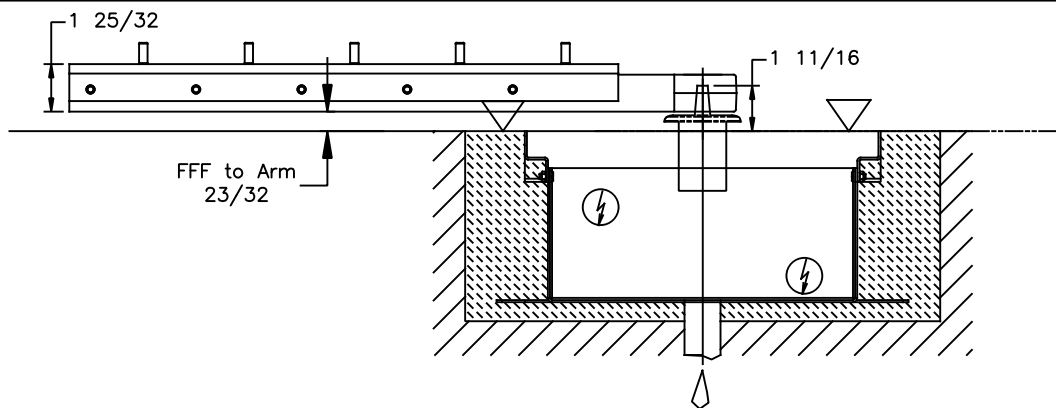
DOOR LOCATION: _____ DOOR NO: _____ SHEET _____ OF _____



Surface Box w/ Standard Shaft
 1/4" T'hold



Surface Box w/ Standard Shaft
 1/2" T'hold



Flush Box w/ Extended Shaft
 No T'hold