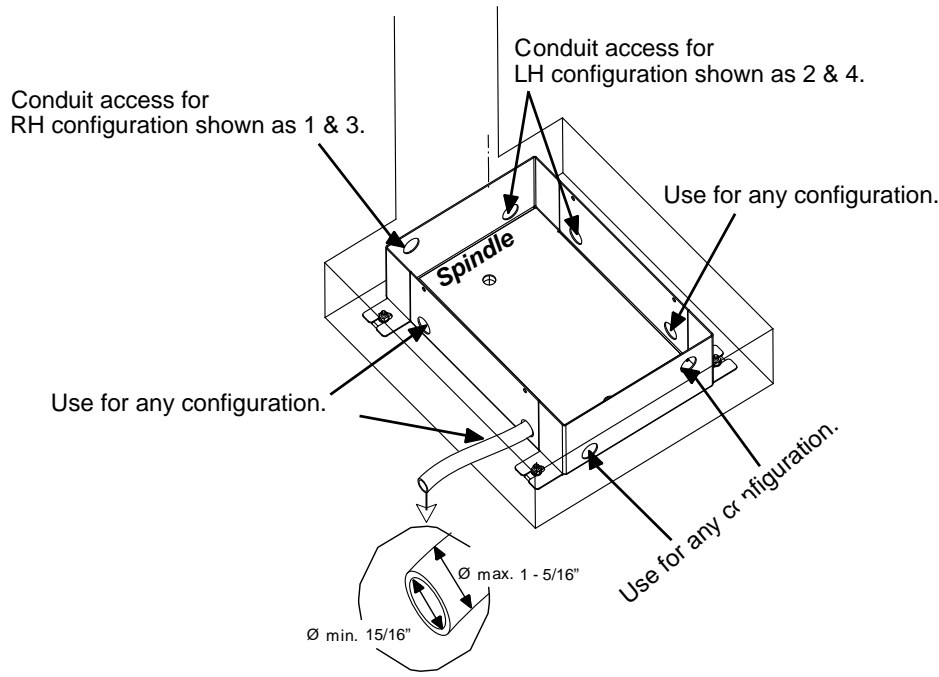
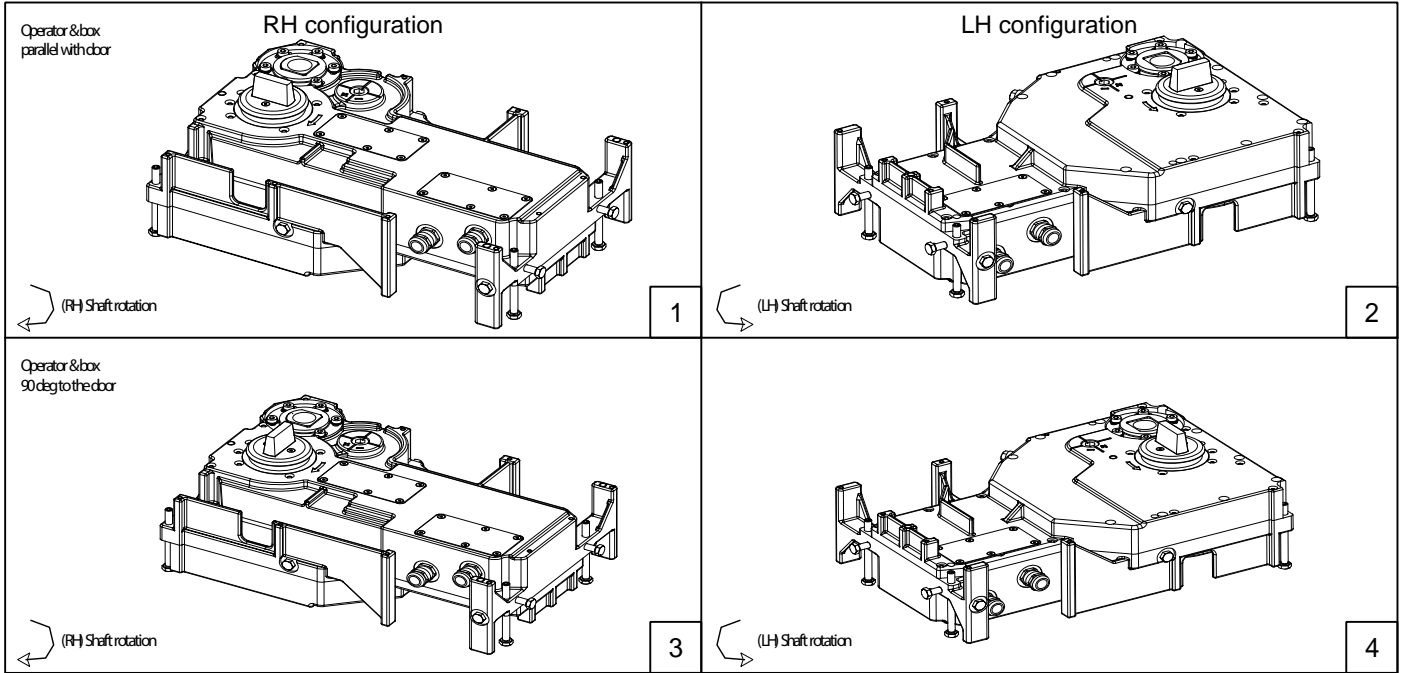


JOB NAME: _____ DATE: _____

DOOR LOCATION: _____ DOOR NO: _____ SHEET ___ OF ___



Run specified encoder and motor wire thru single conduit into the control box thru a provided coupling. (see page 2 wiring specifications)