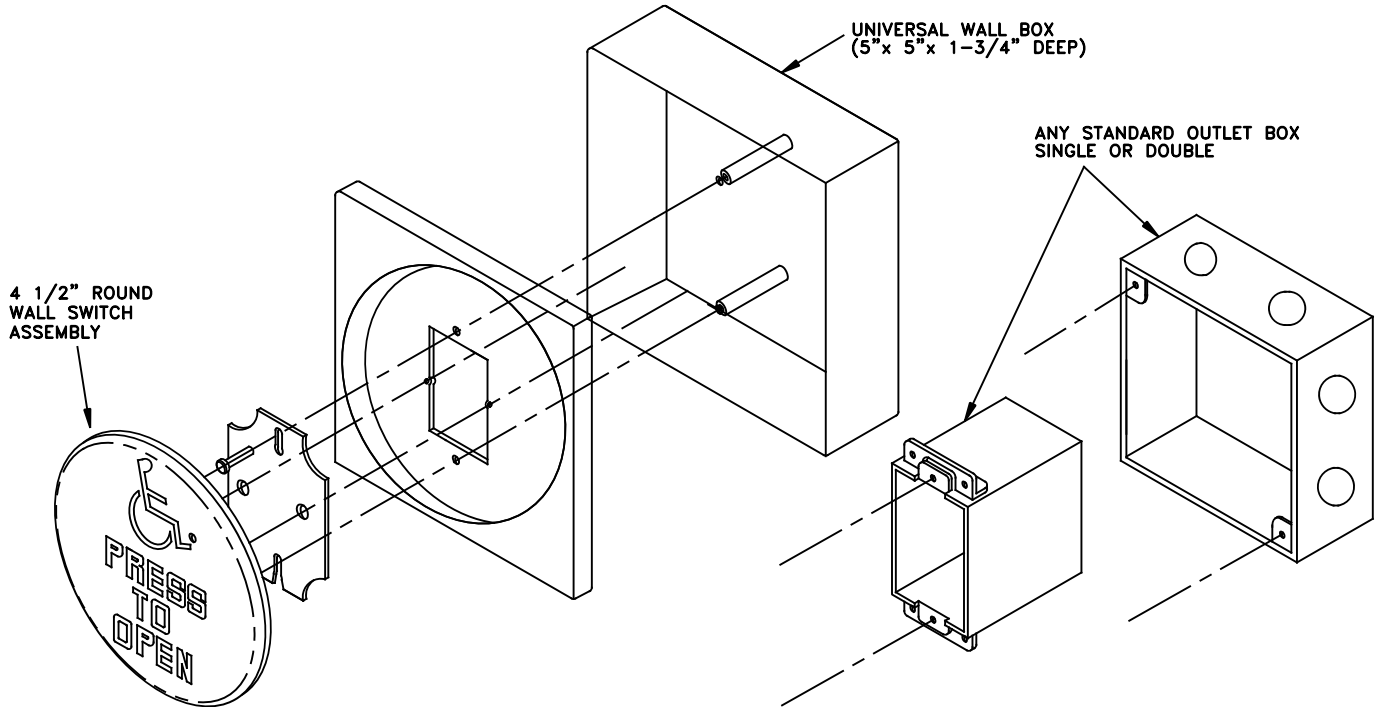


JOB NAME: \_\_\_\_\_ DATE: \_\_\_\_\_

DOOR LOCATION: \_\_\_\_\_ DOOR NO: \_\_\_\_\_ SHEET \_\_\_ OF \_\_\_

ROUND WALL SWITCHES—HARDWIRED



ROUND WALL SWITCH – RADIO CONTROLLED 433 MHz

