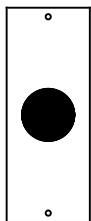
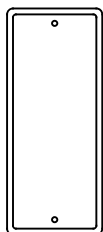


JOB NAME: _____ DATE: _____
 DOOR LOCATION: _____ DOOR NO: _____ SHEET ___ OF ___

FRAME MOUNTED STAINLESS STEEL SWITCHES—HARDWIRED



ONE INCH DIAMETER
 PUSH BUTTON FRAME SWITCH
 STAINLESS STEEL 1 3/4" x 4 1/2"
 COMPLETE WITH
 PUSH TO OPEN LOGO
 DECAL (HC PTO)



DELUXE FRAME SWITCH
 STAINLESS STEEL
 1 3/4" x 4 1/2"
 (PLAIN)



DELUXE FRAME SWITCH
 STAINLESS STEEL
 1 3/4" x 4 1/2"
 W/HANDICAP LOGO
 (ENGRAVED)

(HC)



DELUXE FRAME SWITCH
 STAINLESS STEEL
 1 3/4" x 4 1/2"
 PUSH TO OPEN
 W/HANDICAP LOGO
 (ENGRAVED)

(HC PTO)



DELUXE FRAME SWITCH
 STAINLESS STEEL
 1 3/4" x 4 1/2"
 PUSH TO OPEN
 (ENGRAVED)

(PTO)



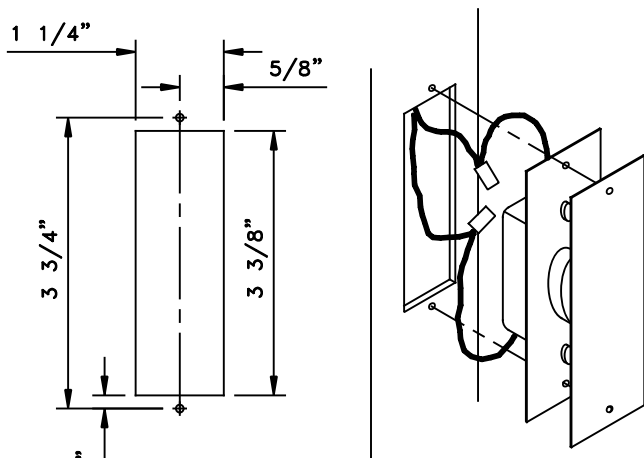
SURFACE MOUNTED BOX
 (4 3/4" x 2" x 1-3/4" DEEP)

INSTALLATION CRITERIA

- ANSI 156.10: MIN 15", MAX 48"
 ANSI 156.19: MIN 34", MAX 48"
- INSTALLATION DISTANCE – 12'-0" MAX. FROM CENTER OF DOOR
 Exception: for each additional foot over 12' max requires an additional 1 second per foot above the 5 second minimum.
 (e.g. for 15', add 3 seconds to the required 5 for a total of 8 seconds of hold time.)
- INSTALLED WITHIN VIEW OF AUTOMATIC DOOR

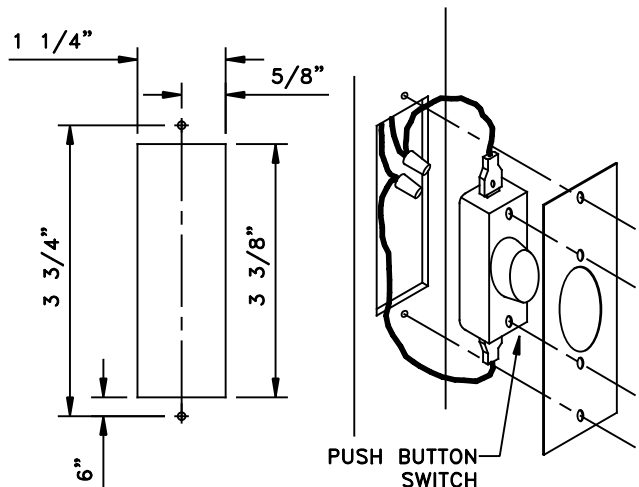
FRAME SWITCH DETAILS

(2) #18 LOW VOLTAGE WIRES (OR PER LOCAL CODE) FROM OPERATOR TO EACH PUSH PLATE FOR HARD WIRING.



DELUXE HARDWIRE

(2) #18 LOW VOLTAGE WIRES (OR PER LOCAL CODE) FROM OPERATOR TO EACH PUSH PLATE FOR HARD WIRING.



PUSH BUTTON HARDWIRE