

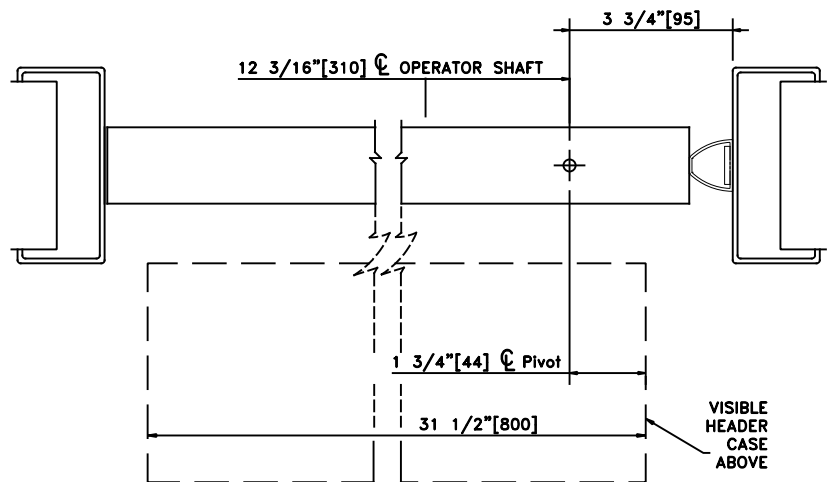
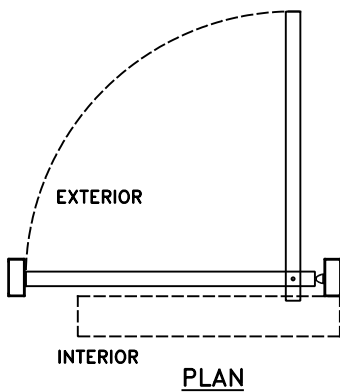
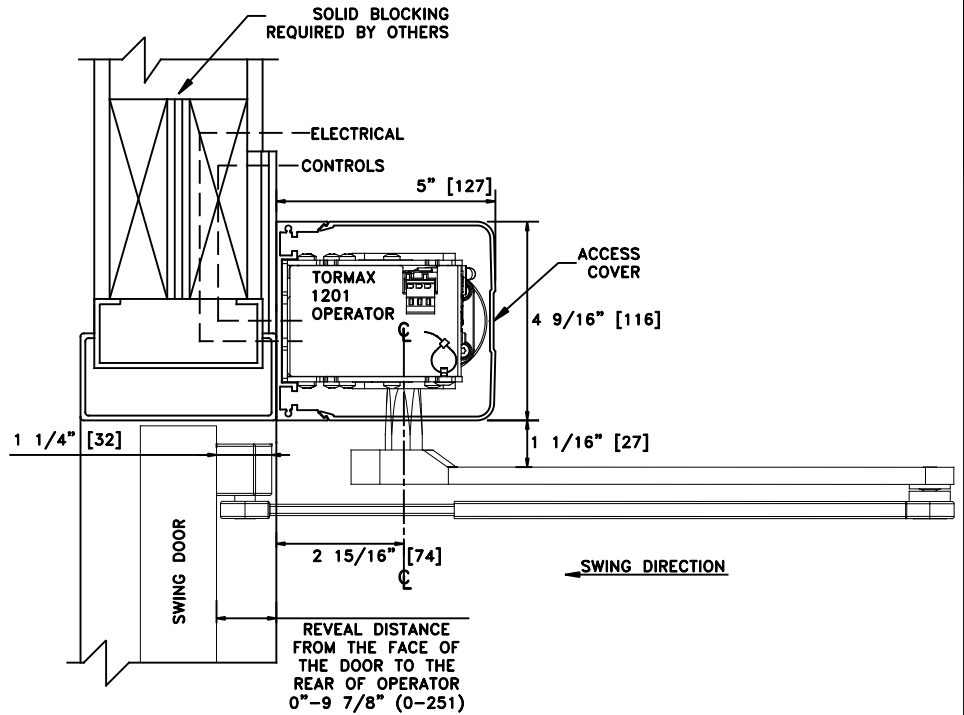
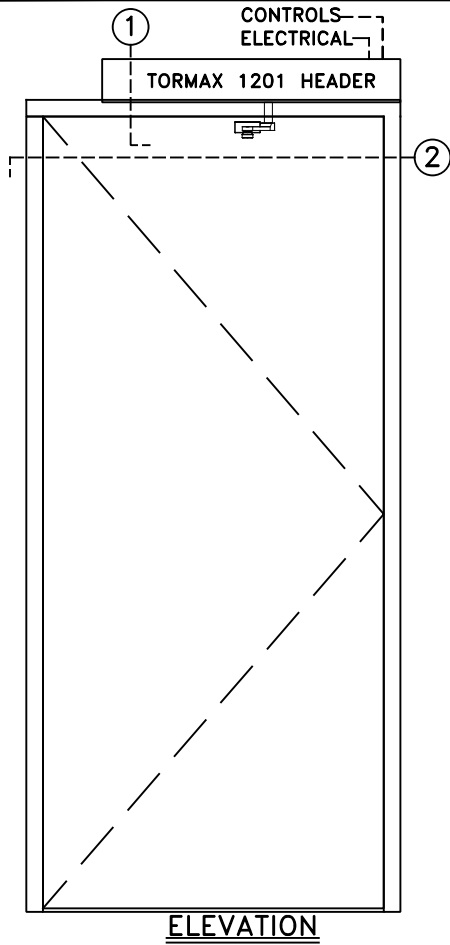


# TORMAX 1201 SWING DOOR OPERATOR

SINGLE DOOR, VISIBLE R.H. OUTSWING  
CENTER PIVOT APPLICATION

JOB NAME: \_\_\_\_\_ DATE: \_\_\_\_\_

DOOR LOCATION: \_\_\_\_\_ DOOR NO: \_\_\_\_\_ SHEET \_\_\_\_\_ OF \_\_\_\_\_



- NOTES:
1. DETAILS NOT TO SCALE.
  2. ELECTRICAL REQUIREMENTS:  
120VAC, 5AMPS MIN. TO OPERATOR BY ELECTRICAL CONTRACTOR.
  3. DOORS, FRAMES AND HARDWARE BY OTHERS.
  4. 32" CLEAR DOOR OPENING REQUIRED TO MEET A.D.A. REQUIREMENTS.
  5. DOORS MUST BE NON-LATCHED FOR PROPER OPERATION.
  6. OPERATOR HEADER IS AVAILABLE FOR FULL WIDTH DOOR APPLICATIONS.
  7. OPERATOR CAN BE CONFIGURED TO MEET ANSI STANDARDS A156.10 & ANSI A156.19
  8. DOOR CLOSED REQUIRED BY OTHERS FOR OUTSWING DOOR.